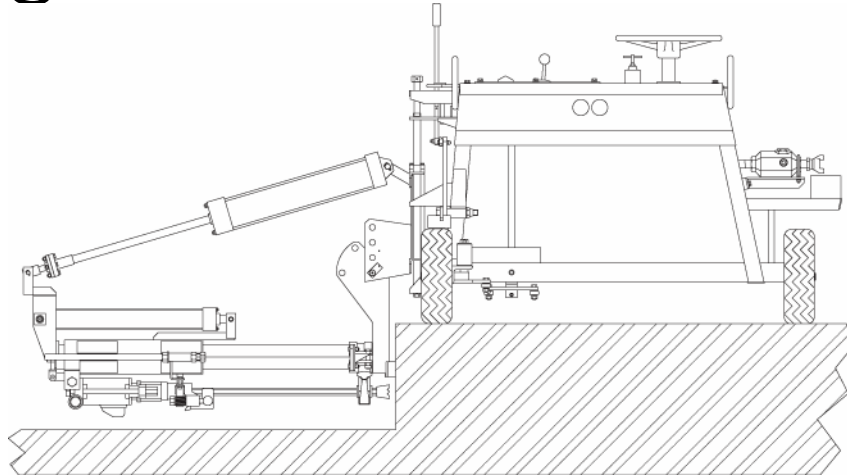


## A-1C Single Drill, On Slab Unit



**Three position drilling with 48" unit: Horizontal, Vertical and 35 degree stitch**

**Two position drilling with 36", 30" and 24" units: Horizontal and Vertical**

**Urethane filled tires**

**3-1 skew drilling standard**

**Adjustable drill height and depth**

**Dust collection is available**

Model	A-1C-48	A-1C-36	A-1C-30	A-1C-24
Drill Steel Shank	.875" x 4.25" (22.2mm x 107.9mm)	.875" x 4.25" (22.2mm x 107.9mm)	.875" x 3.25" (22.2mm x 82.6mm)	.875" x 3.25" (22.2mm x 82.6mm)
Drill Steel Length U.C.	24"(61.0cm)	12"(30.5cm)	12"(30.5cm)	9"(22.9cm)
Drill Bit Diameter	.625" – 2.50" (15.9mm to 63.5mm)	.625" – 2.50" (15.9mm to 63.5mm)	.625" – 1.625" (15.9mm to 41.3mm)	.625" – 1.00" (15.9mm to 25.4mm)
*Maximum Drill Depth	18" (45.7cm)	10" (25.4cm)	10" (25.4cm)	7" (17.8cm)
Drill Distance From Top of Slab	2.5" – 12.75" (6.4cm to 32.4cm)	2.5" – 12.75" (6.4cm to 32.4cm)	2.5" – 12.75" (6.4cm to 32.4cm)	2.5" – 12.75" (6.4cm to 32.4cm)
Minimum Cutout Width	48" (121.9cm)	36" (91.4cm)	30" (76.2cm)	24" (61.0cm)
SCFM Required	92.2 (2.61 m <sup>3</sup> /min)	92.2 (2.61 m <sup>3</sup> /min)	75 (2.12 m <sup>3</sup> /min)	36 (1.02 m <sup>3</sup> /min)
PSIG Required	90 (0.62MPa)	90 (0.62MPa)	90 (0.62MPa)	90 (0.62MPa)
Weight	700lbs. (317.5kg)	665lbs. (301.6kg)	630lbs. (285.8kg)	605lbs. (274.4kg)

**Specifications shown are standard. Variations to the standard are available.**

**\*Based on 2 piece steel and bits. Whirlybits should be 1" longer for maximum drilling depth.**

277 North Main Street  
PO Box 367  
Mansfield, OH 44902

[www.minnich-mfg.com](http://www.minnich-mfg.com)  
e-mail: [sales@minnich-mfg.com](mailto:sales@minnich-mfg.com)

Phone: 419.524.1000  
Toll Free: 800.524.1033  
Fax: 419.524.4000