

PHOENIX

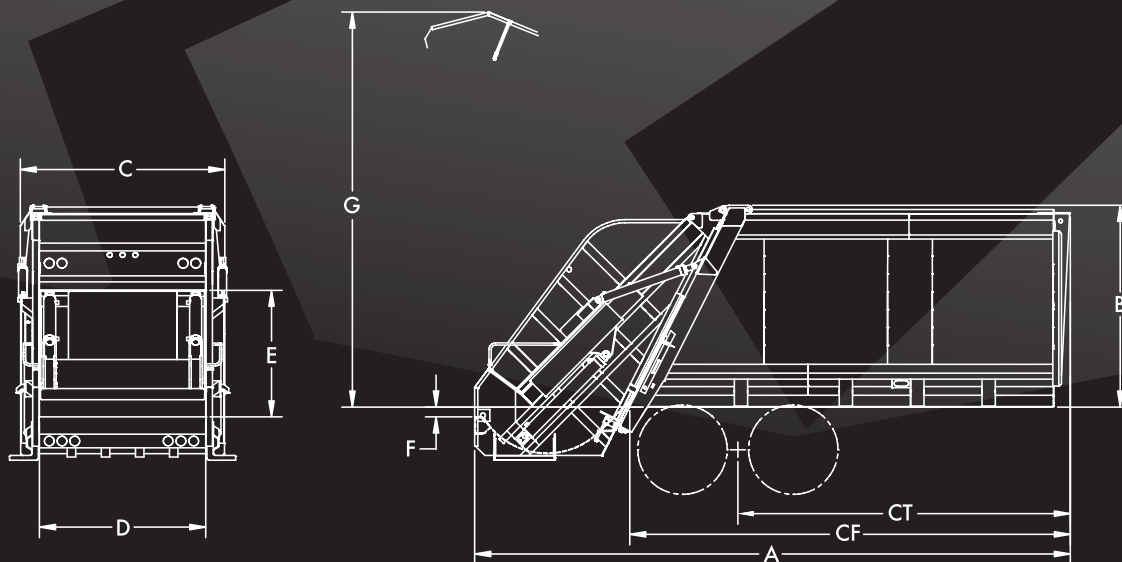
HEAVY-DUTY REAR LOADER



www.WayneUSA.com



WAYNE



BODY SPECIFICATIONS

	20 cu. yd.	25 cu. yd.	32 cu. yd.
A: Overall Length	244"	280"	324"
B: Height Above Chassis Frame	95"	95"	95"
C: Body Width	96"	96"	96"
D: Hopper Opening Width	78"	78"	78"
E: Hopper Opening Height	68"	68"	68"
F: Loading Sill Below Chassis Frame	4.6"	4.6"	4.6"
G: Height Above Chassis Frame - Tailgate Raised	182"	182"	182"
CT: Cab to Tandem	120"	156"	200"
CF: Min. Usable CAT to End of Frame	171"	205"	249"
Dynamic Hopper Capacity (Cu. Yd./Min.)	6.5	6.5	6.5
Volumetric Hopper Capacity	3	3	3
Volumetric Hopper Capacity w/ CLD	3.3	3.3	3.3
Approx. Body Weight	14,700 lbs.	15,300 lbs.	16,100 lbs.
Truck GVWR Recommended	52,000 lbs.	58,000 lbs.	66,000 lbs.
Pack Cycle Time	20-22 seconds	20-22 seconds	20-22 seconds

FEATURES

- Curved Shell Body
- Auto back-pack
- Engine accelerator
- Reservoir sight gauge
- Chrome cylinder rods
- Access door (streetside)
- Backup alarm
- Driver alert buzzer (curbside)
- High-mount rear light bar
- Work lights
- LED ANSI/DOT lighting
- Mud flaps
- 12 mo. body/24 mo. cylinder warranty

HYDRAULIC SYSTEM

- Oil Reservoir: 50 gal.
- Oil Flow w/ Standard Pump: 36 GPM
- Operating Pressure: 2500 PSI
- Hose Burst Ratio: 4 to 1
- Return Filter: 10 micron
- Slide Cylinders: 5"
- Sweep Cylinders: 5"
- Eject Cylinder (20 YD): 5" single stage
- Eject Cylinder (25 YD): 5 1/4" 2 stage
- Eject Cylinder (32 YD): 6" 3 stage
- Tailgate Lift: 3 1/2"

BODY CONSTRUCTION

- Roof: 10 gauge GR80
- Sides: 10 gauge GR80

- Floor: 3/16" GR10
- Troth Floor: 1/4" GR100
- Ejection Panel: 7 gauge GR50

HOPPER CONSTRUCTION

- Tailgate Upper: 11 gauge GR80
- Tailgate Lower: 3/16" GR100
- Hopper Floor: 1/4" Hardox
- Sweep Face: 1/4" Hardox

OPTIONS

- 12,000 lb. reeving winch
- 8,000 lb. overhead drum winch
- Hydraulically operated roll bar
- Single or dual cart tipper
- Rear camera system (5" color LCD)
- Arlock Container Device

ENGINEERED FOR PERFORMANCE



701 Performance Drive
Cedar Falls, IA 50613
Phone: (319) 266-1721
Fax: (319) 266-8207