

Curb Roller



Clever
and
Simple



J.D. Honigberg International, Inc

155 Pfingsten Rd. Suite 150

Deerfield, IL 60015 - USA

Tel: (847) 412-0200 // Fax :(847) 412-0034

E-mail: powerequipment@jdhintl.com

www.jdhpowerequipment.com

Curb Roller

- ◆ **Curb Roller Manufacturing**, based in Sabetha, Kansas is an innovator in Curb & Gutter Forming. They are known for developing the **Curb Roller** and the **Hydra Screed**.
- ◆ Both of the **Curb Roller** and the **Hydra Screed** are hydraulically driven and utilize the concept of rotating friction screed to strike off and shape the concrete.
- ◆ The **Curb Roller** is a new concept that is unique since it is the only roller screed designed exclusively for forming curb & gutters.



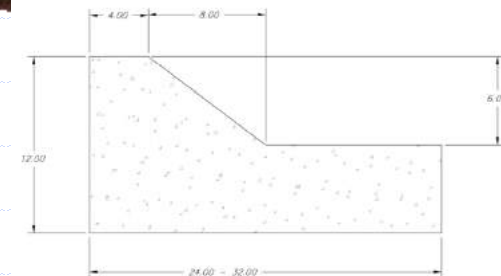
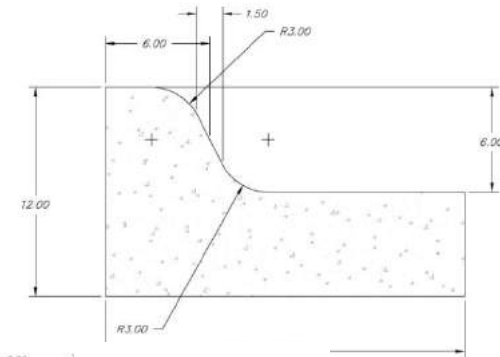
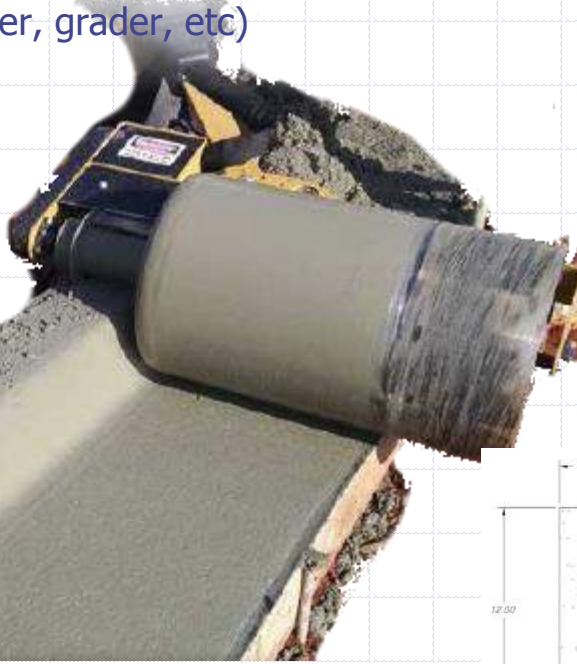
Curb Roller

◆ The innovative **Curb Roller** has many advantages:

- Inexpensive, Costs less than forms
- Simple to use, No previous training necessary
- Compact, Easily Transportable
- High Productivity, Perfect Radiuses
- 8 Standard type Curb & Gutter Profile Drums
- Custom Curb Profile Drums
- Can be powered by a Hydra-Pak or off the hydraulic system of a road machine (skid steer, loader, grader, etc)



[See Video...](#)





Curb Roller



◆ Hydra-Screed

- Uses the concept of friction generated by a sliding surface (spinning pipe) to screed and work concrete.
- Simple to use, No previous training necessary
- Compact, Easily Transportable
- Effective up to 8.5 meter widths
- Same drive handle for all pipe lengths / easily changeable
- Can be powered by a Hydra-Pak or off the hydraulic system of a road machine (skid steer, loader, grader, etc)

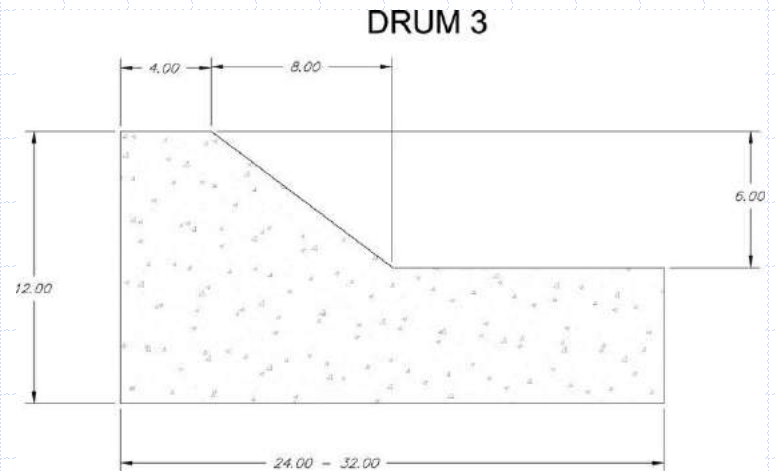
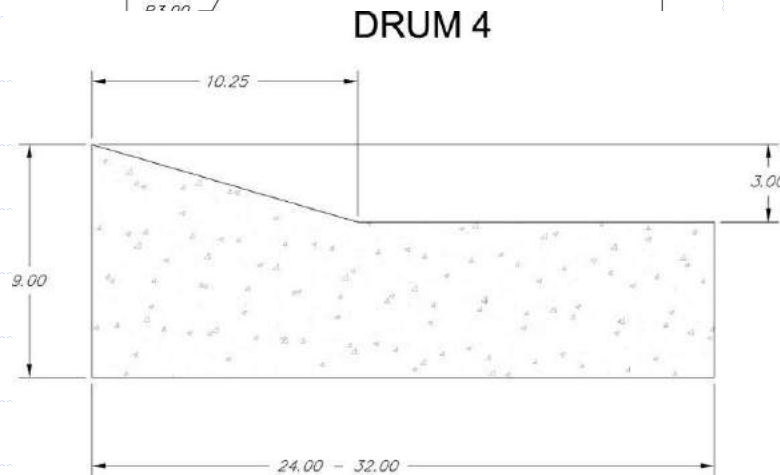
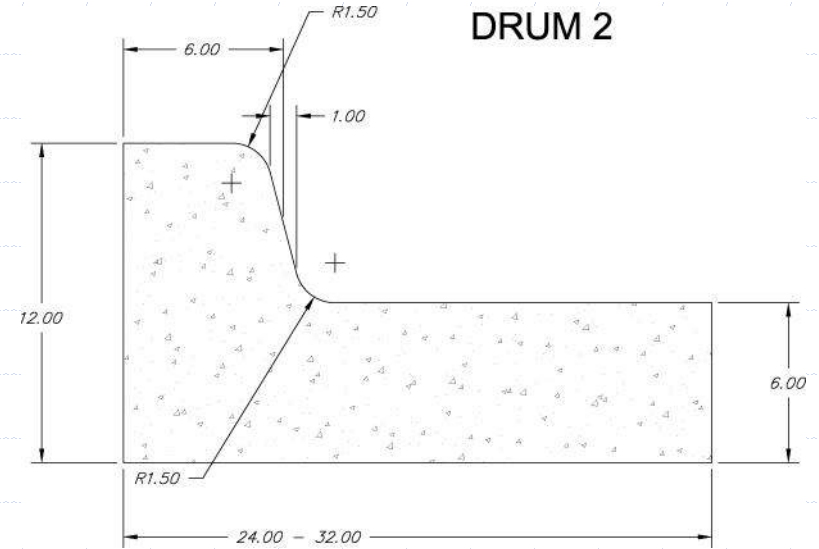
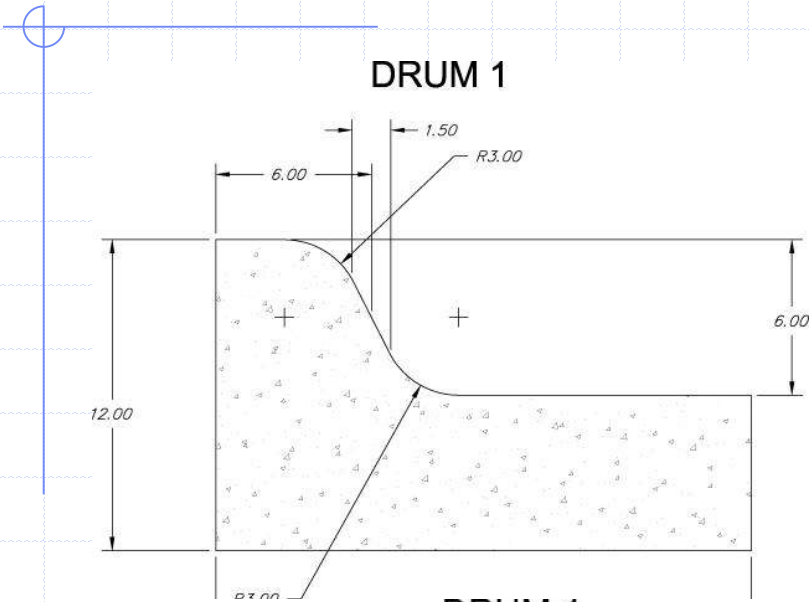


Hydra-Pak

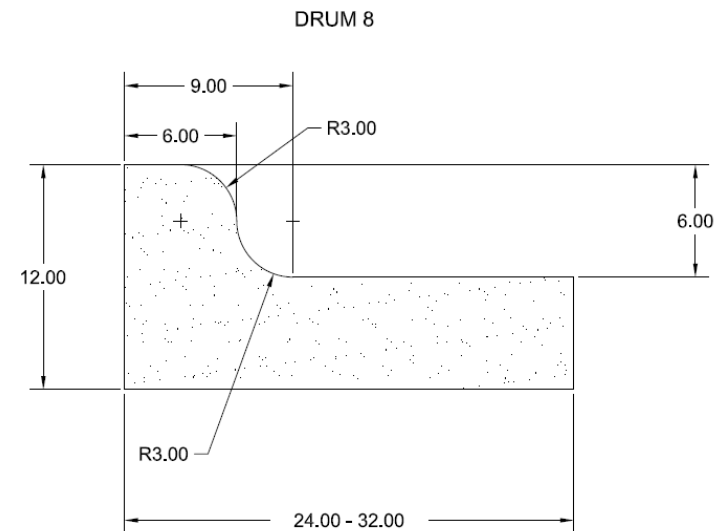
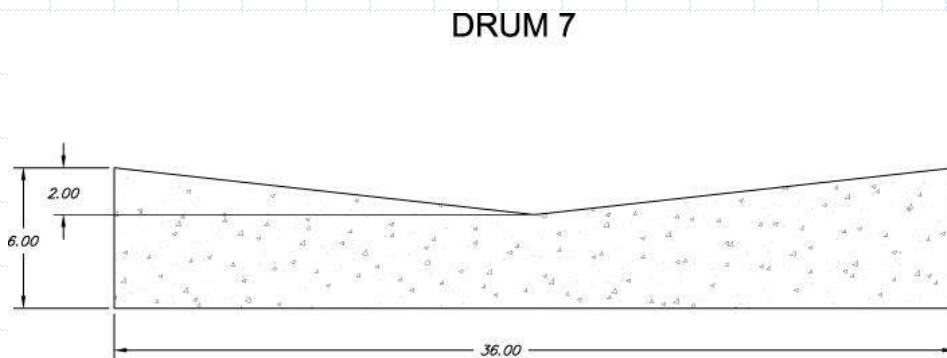
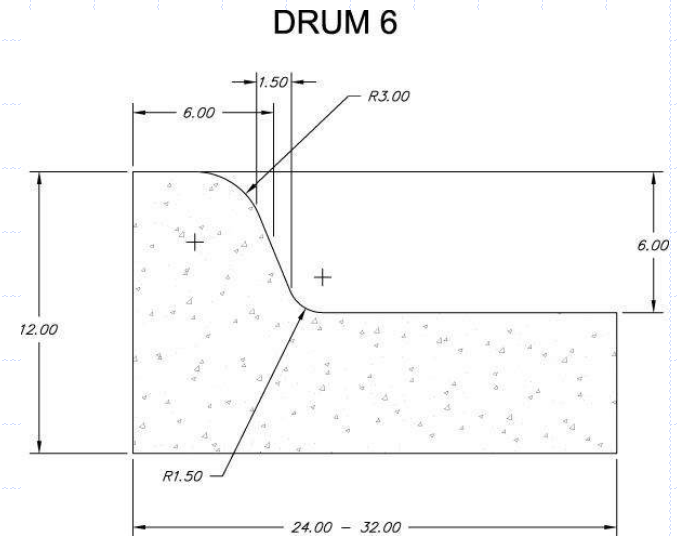
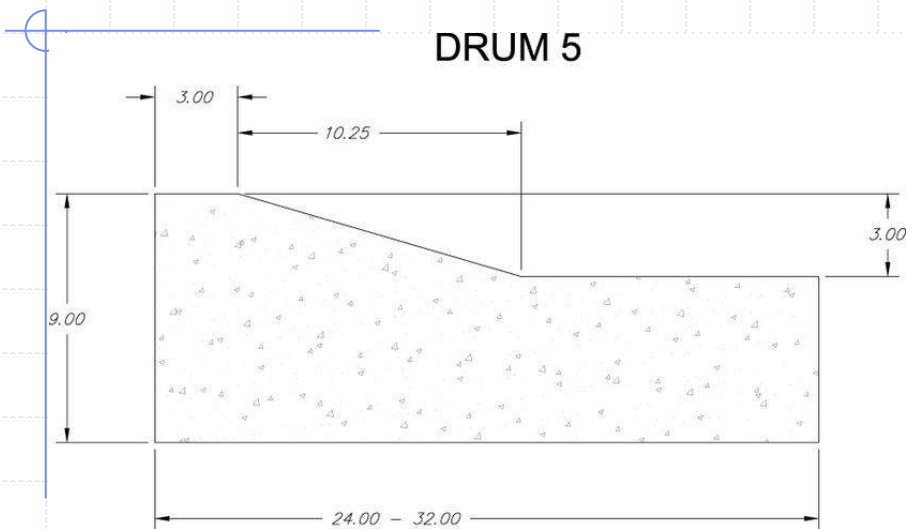
[See Video...](#)



◆ Standard Curb Profiles



◆ Standard Curb Profiles (cont)



Standard Curb Profiles (cont)

