

# Curb Roller



J.D. HONIGBERG INTERNATIONAL

[www.jdhpowerequipment.com](http://www.jdhpowerequipment.com)

+1-847-412-0200

**The Curbroller is the most versatile and cost effective curb machine on the market!**

With its simple design and rugged construction it is easy to operate, maintain and store when not in use. It works seamlessly with all types of formwork and on new or patch and repair jobs.

Crews will see an average increase of 50% in their speed and production over traditional methods.

With the Curbroller you can accomplish more with less labor and produce a uniform high quality finished product!



- Hydraulically Driven
- 3-5 GPM @ 2250 PSI Required
- Two Way Variable Speed Control
- Handle Pivots for Desired Operation Position
- Adjustable Guide Ring Insures Uniform Curbs
- Standard Drum Pours up to a 32" Curb and Gutter
- Interchangeable Drums for different Curb Styles
- Weight 160lbs.



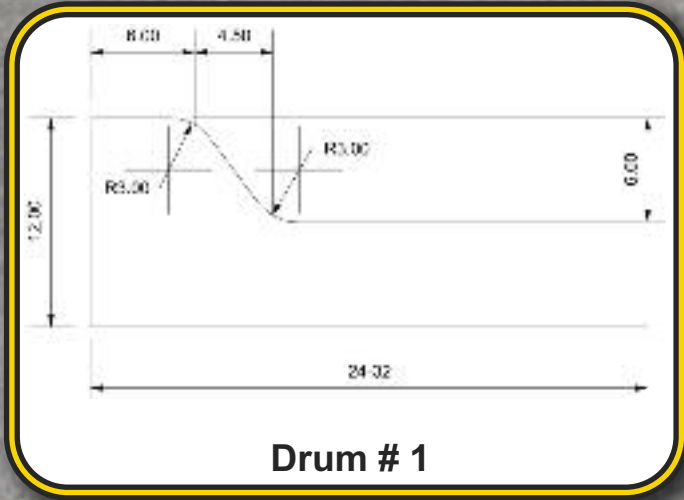


**Pouring curb has traditionally been a niche market that contractors leave to the crews with big machines or abundant cheap labor. In today's competitive construction market margins are tight and skilled labor is hard to find.**

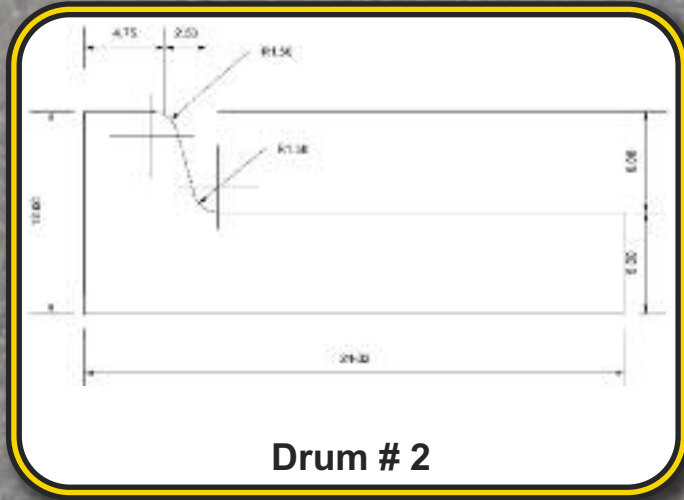
**The Curbroller gives contractors large and small the ability to self-perform a broader scope of work without investing in large expensive equipment. Not waiting on a subcontractor means they can control their own job schedule, finishing quicker and moving on to the next project.**

**Whether you run a large company with several crews or a small three man outfit, the Curbroller can directly improve your bottom line!**

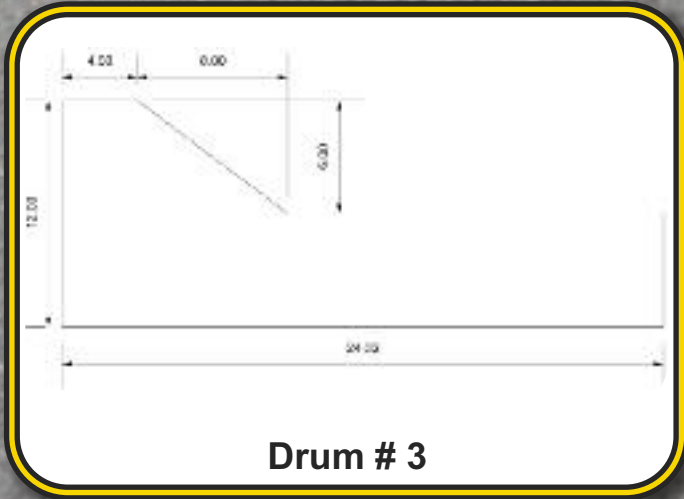




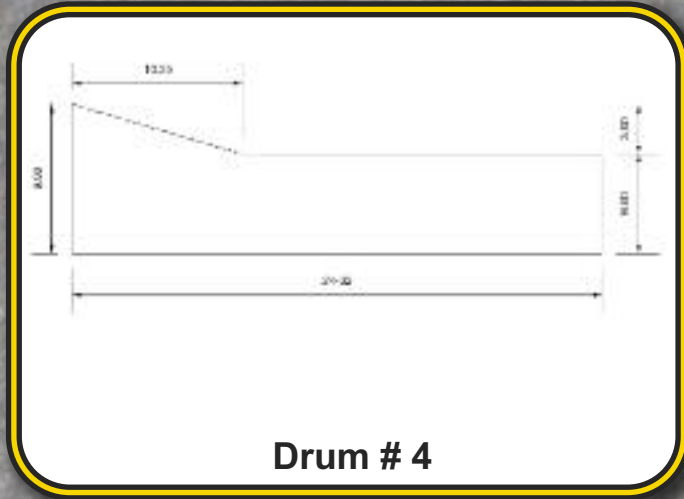
**Drum # 1**



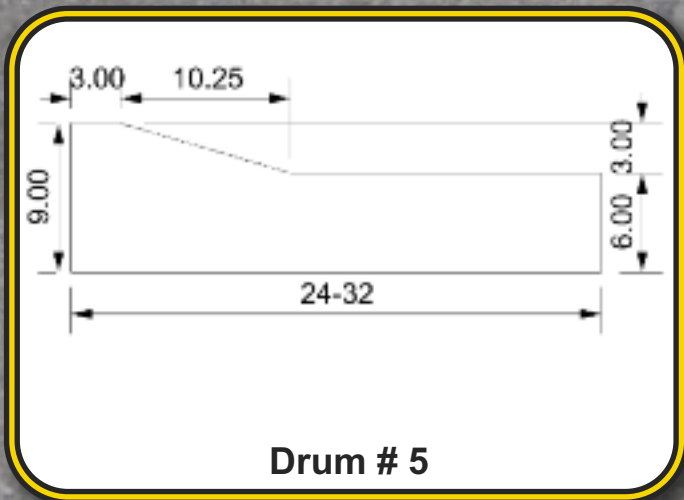
**Drum # 2**



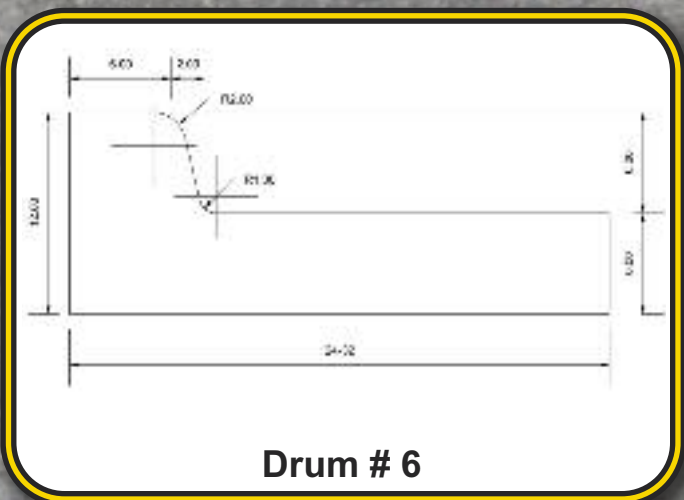
**Drum # 3**



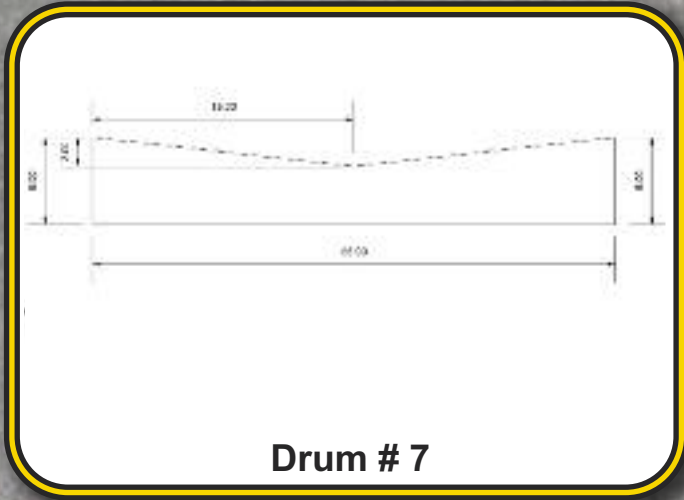
**Drum # 4**



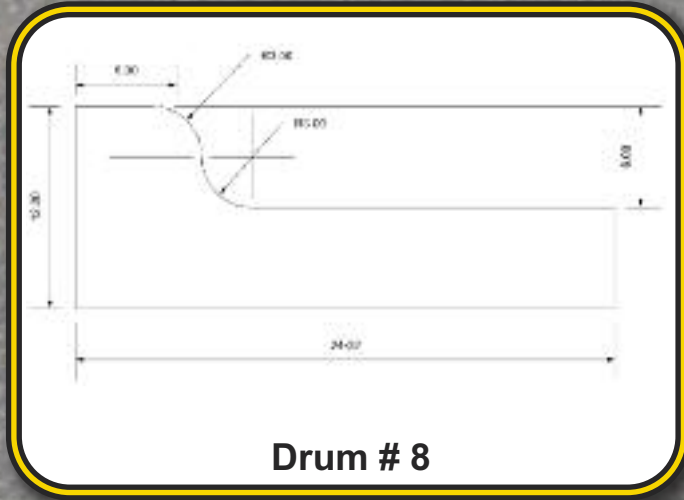
**Drum # 5**



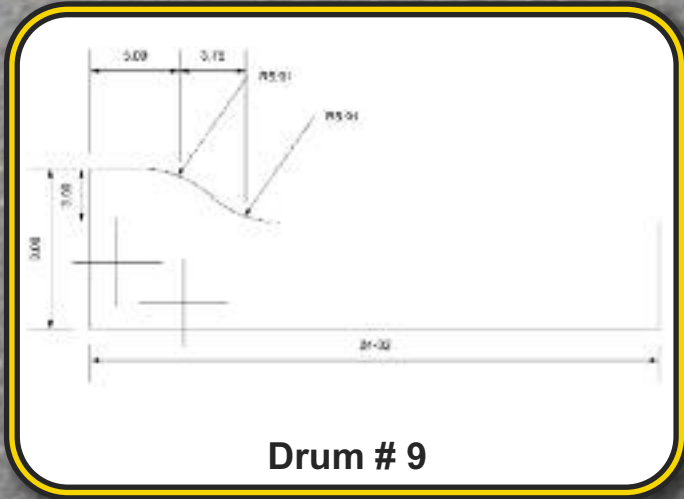
**Drum # 6**



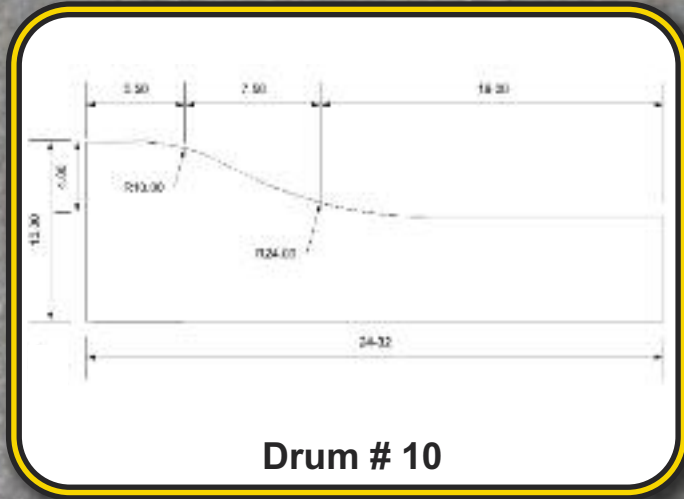
**Drum # 7**



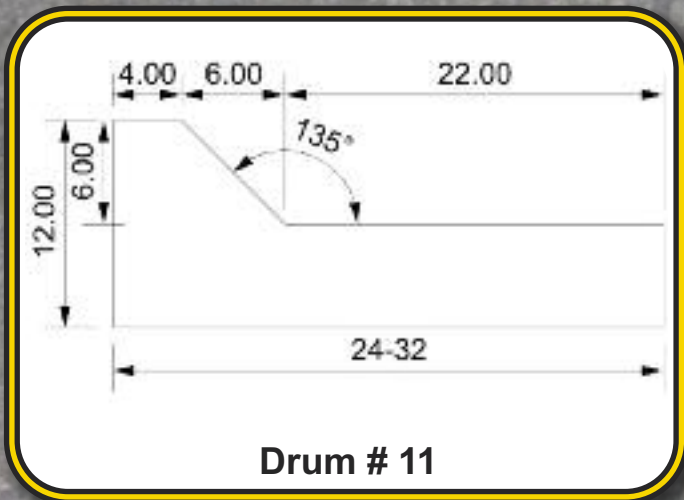
**Drum # 8**



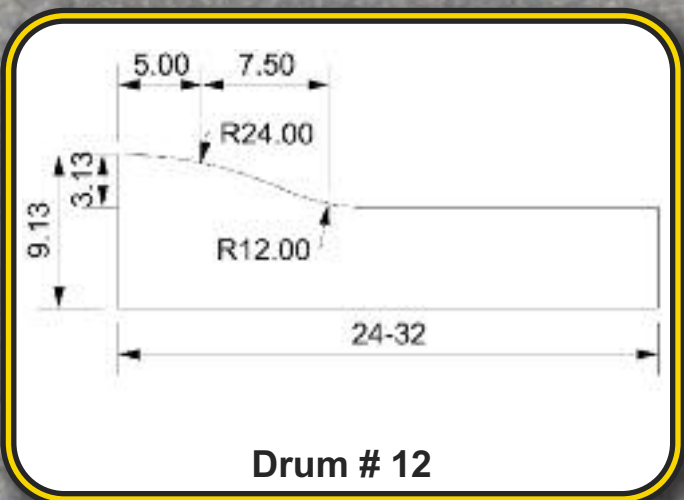
**Drum # 9**



**Drum # 10**



**Drum # 11**



**Drum # 12**





**The Curbroller is hydraulically powered and manually operated. It does not require a special hydraulic power source and will connect to virtually any available equipment; skid loader, mini excavator, tractor, etc. It is easy to operate, maintain and does not require extensive training or concrete experience.**

**We offer 12 standard drum designs that will pour up to 32" wide curb and gutter. The Curbroller has an adjustable frame that will accommodate virtually any width of curb and gutter.**

**We also design and manufacture special drums for specific projects. Whether you have a tall oversized curb or special flume we can build a machine for your needs. The Curbroller will give you the ability to reduce labor, increase production and save input costs on every curb job!**





**We also manufacture the  
Hydra-Screed roller screed  
system and the Hydra-Pack  
hydraulic power pack.**

**For more information on  
any of our equipment  
please give us a call:**

**J.D. Honigberg International**

**+1-847-412-0200**

**[www.jdhpowerequipment.com](http://www.jdhpowerequipment.com)**

