

TOMCAT™

Versatile Small-Body Side Loader

"The TomCat is so versatile, it saves a ton of money."



Mid-compact side loaders with satellite flexibility.

Fast, maneuverable and fuel-efficient, this is the perfect side loader for small subscription routes and single stream recycling services. Standard TomCats feature a single-piece AR400 steel floor with a rounded tailgate for optimum capacity. Satellite models feature a flat tailgate and a tip-up body that allows clean eject into larger rear loaders, keeping the TomCat busy picking up remote sites.

Standard Features:

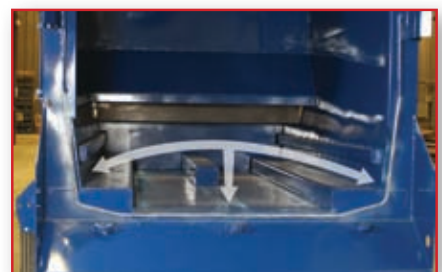
- 6-14 cu. yd. capacities
- loads from both sides
- low sill height, easy to load
- cart tippers on one or both sides
- simultaneous load-n-pack
- ultra-high strength-to-weight ratio



Satellite model with tilt-for-transfer body

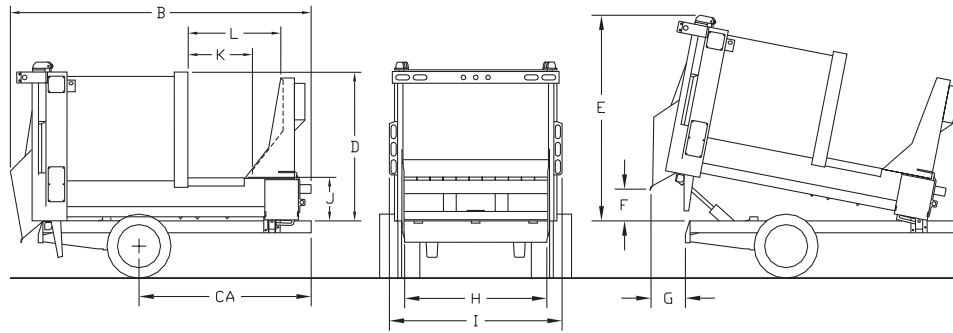


Hopper access from both sides with wide opening and low loading height



3/16" AR400 one-piece body/hopper floor

WAYNE®
ENGINEERED FOR PERFORMANCE
www.WayneUSA.com



BODY SPECIFICATIONS

Satellite SideLoader (SSL)

Frame Mount SideLoader (SL)

	TC6	TC10
Advertised Body Size	6 cu. yd.	10 cu. yd.
B: Overall Length	148"	166"
Approximate Body Weight	5,100 lbs.	6,800 lbs.
D: Height Above Chassis Frame, Tailgate Closed	75"	88"
E: Height Above Chassis Frame, Transfer Mode	100"	113"
F: Body Clearance Above Frame, Transfer Mode	15"	13"
G: Body Horizontal Frame Clearance	16"	17"
H: Tailgate — Outside Width (for Transfer)	69 1/2"	69 1/2"
I: Body — Outside Width	79"	82"
J: Loading Sill Height Above Frame	21"	21"
K: Loading Area Width	31"	31"
L: Top of Hopper Opening	46"	46"
Dynamic Hopper Capacity (cu. yd./min)	4 cu. yd.	4 cu. yd.
Practical Fillable Loading Volume	1 cu. yd.	1 cu. yd.
MINIMUM CHASSIS REQUIREMENTS		
Truck GVWR Recommended	17,500 lbs.	19,000 lbs.
CA: Recommended (To Centerline of Rear Axle)	84"	108"

	TC8	TC12	TC14
Advertised Body Size	8 cu. yd.	12 cu. yd.	14 cu. yd.
B: Overall Length	156"	175"	193"
Approximate Body Weight	4,800 lbs.	6,400 lbs.	6,480 lbs.
D: Height Above Chassis Frame, Tailgate Closed	75"	88"	88"
E: Height Above Chassis Frame, Transfer Mode	—	—	—
F: Body Clearance Above Frame, Transfer Mode	—	—	—
G: Body Horizontal Frame Clearance	—	—	—
H: Tailgate — Outside Width (for Transfer)	—	—	—
I: Body — Outside Width	79"	82"	82"
J: Loading Sill Height Above Frame	19"	19"	19"
K: Loading Area Width	31"	31"	31"
L: Top of Hopper Opening	46"	46"	46"
Dynamic Hopper Capacity (cu. yd./min)	4 cu. yd.	4 cu. yd.	4 cu. yd.
Practical Fillable Loading Volume	1 cu. yd.	1 cu. yd.	1 cu. yd.
MINIMUM CHASSIS REQUIREMENTS			
Truck GVWR Recommended	17,500 lbs.	22,000 lbs.	25,000 lbs.
CA: Recommended (To Centerline of Rear Axle)	84" – 102"	120"	120"

Features

- Chiseled shell design — ultra-high strength-to-weight ratio
- Low loading height — reduces worker fatigue
- Loads from both sides — reduces loading time
- Simultaneous load-and-pack — eliminates wasted time
- 14-16 second packing cycle time
- Standard 8" side doors — increases hopper capacity
- No-fallback design — no need to double-pack
- Curved tailgate — aids compaction, hinged for easy unloading
- Tilt-for-transfer design — efficient satellite operation
- Clean-out tray and doors — convenient side access
- CDL and FET exempt; ANSI certified

Hydraulic System

- Cylinders — all double acting:
- Pack — (2) 3" dia.
 - Eject — TC6 (1) 2.5" dia.
TC10 (1) 3.5" dia.
 - Body Lift — TC6 (1) 4.5" dia.
TC10 (2) 4.5" dia.
 - Tailgate — (2) 2.5" dia.
- Pump — VaneType:
- Capacity — 12 GPM @ 1,200 RPM
 - Maximum operating pressure — 3,500 PSI
- Hydraulic Tank:
- Capacity — 12 gallons
 - Location — upper front
 - Sight Gauge — on tank
 - Filter — 10 micron return line filter with by-pass valve

Body Construction

- Sides — 11 gauge 50,000 PSI
- Top — 11 gauge 50,000 PSI
- Floor — 3/16" AR400

Hopper Construction

- Sides — 3/16" T1
- Floor — 3/16" AR400
- Packer Face Panel — 3/8" 50,000 PSI

Optional Equipment

- Strobe light
- Cart tippers
- Hopper cover
- Work lights
- Rotating beacon

WAYNE®

J.D. Honigberg International, Inc.
 650 Dundee Road, Suite 150
 Northbrook, IL 60062 USA
 Tel: 847-412-0200

Email: powerequipment@jdhintl.com
www.jdhpowerequipment.com