



slp series

**Powerful  
Low Profile  
Compact**  
The SLP Series  
rough terrain forklift

 **SELICK**

**J.D. Honigberg International, Inc.**  
650 Dundee Road, Suite 150, Northbrook, IL 60062 USA  
Tel: 847-412-0200 · Email: [powerequipment@jdhintl.com](mailto:powerequipment@jdhintl.com)  
[www.jdhpowerequipment.com](http://www.jdhpowerequipment.com)

## Standard specifications

The **low profile** rough terrain SLP Series forklift and the new DieselMax 444 engine powers through rugged outdoor terrain. This **compact** forklift, with its **tight turning radius** & overall small dimensions is designed to work efficiently in close quarters. The drivetrain, a proven performer, will provide years of reliable service.

## Engine

DieselMax 444 low noise, low emission, four-cylinder, 84 hp, diesel engine with fuel/water separator with hand primer, dual element air filter, pre-cleaner, cold weather starting aid & vertical exhaust.

## Transmission

Four-speed power reversing synchroshuttle transmission with torque converter and integral parking brake. Optional four-speed fully automatic transmission available.

## Axles

High load capacity drive & steer axles provide less wear and low maintenance. Limited slip differential provides increased traction.

## Brake system

Enclosed multi-disc, oil-immersed service brakes with independent parking brake, mechanically-operated, lever applied.

## Steering

Load sense power steering with hydraulic pump assist.

## Instruments

Full instrument package includes warning indicator lights & gauges, horn & backup alarm.

## Mast assemblies

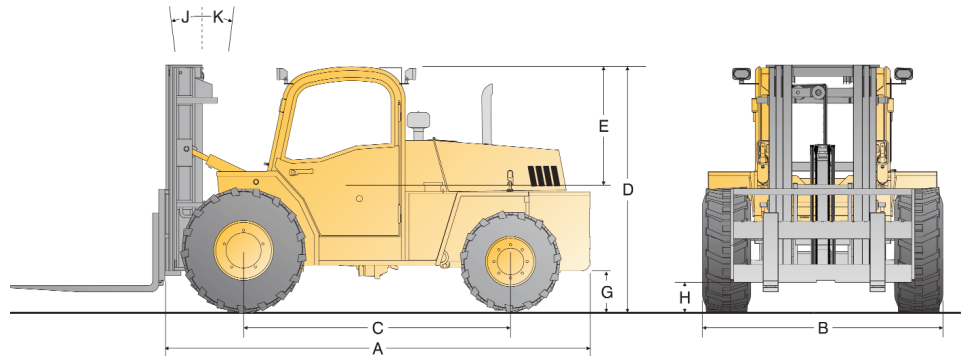
Sellick SEE-THRU® all-roller mast design. A wide range of two or three-stage available with maximum lift height up to 22 ft. Sideshift: 6" total.

## Standard equipment

- Fully adjustable suspension seat with retractable seatbelt
- Enclosed exhaust system with extra sound insulation in hood
- Hydrostatic steering
- Halogen lighting kit includes two front & two rear worklights
- LED brake & amber flashing lights
- Neutral safety start
- Tilt steering wheel

# SLP low profile rough terrain forklift

Lift capacities of 5,000, 6,000 or 8,000 @ 24" load centre



Model	Ref	SLP50	SLP60	SLP80
Lift capacities @ 24 inch load centre		5 000 lbs	6 000 lbs	8 000 lbs
Overall length (without forks)	A		141"/3 581 mm	142"/ 3607 mm
Overall width	B		78"/1 981 mm	
Wheelbase	C		87"/2 210 mm	
Height to top of overhead guard	D		79"/2 007 mm	
Distance from seat to OHG	E		40"/1 016 mm	
Outside turning radius		2WD: 172"/4 369 mm; 4WD: 190"/4 826 mm		
Frame underclearance	G		11"/279 mm	
Mast underclearance	H		12"/203 mm	
Mast sideshift			6"/152 mm	
Mast tilt - forward	J		20°	
Mast tilt - rearward	K		10°	
Gradeability			25%	
Tire size		Drive: 15-19.5-12 ply Steer: 12-16.5-10 ply		
Engine manufacturer & model		DieselMax 444 naturally-aspirated diesel		
Cylinders		4		
Engine output (gross power)		84 hp @ 2 200 rpm		
Peak torque		236 ft·lbs @ 1 200 rpm		
Weight w/12' mast		11,000 lbs	12,450 lbs	14,400 lbs
Travel speed		15(24) mph(km/h)		

*Because of our constant dedication to product improvement, all specifications are subject to change without notice.*

— All Sellick forklifts meet or exceed all ANSI B56.6 safety standards. —



**J.D. Honigberg International, Inc.**  
650 Dundee Road, Suite 150  
Northbrook, IL 60062 USA  
Tel: 847-412-0200

Email: [powerequipment@jdhintl.com](mailto:powerequipment@jdhintl.com)  
[www.jdhpowerequipment.com](http://www.jdhpowerequipment.com)

