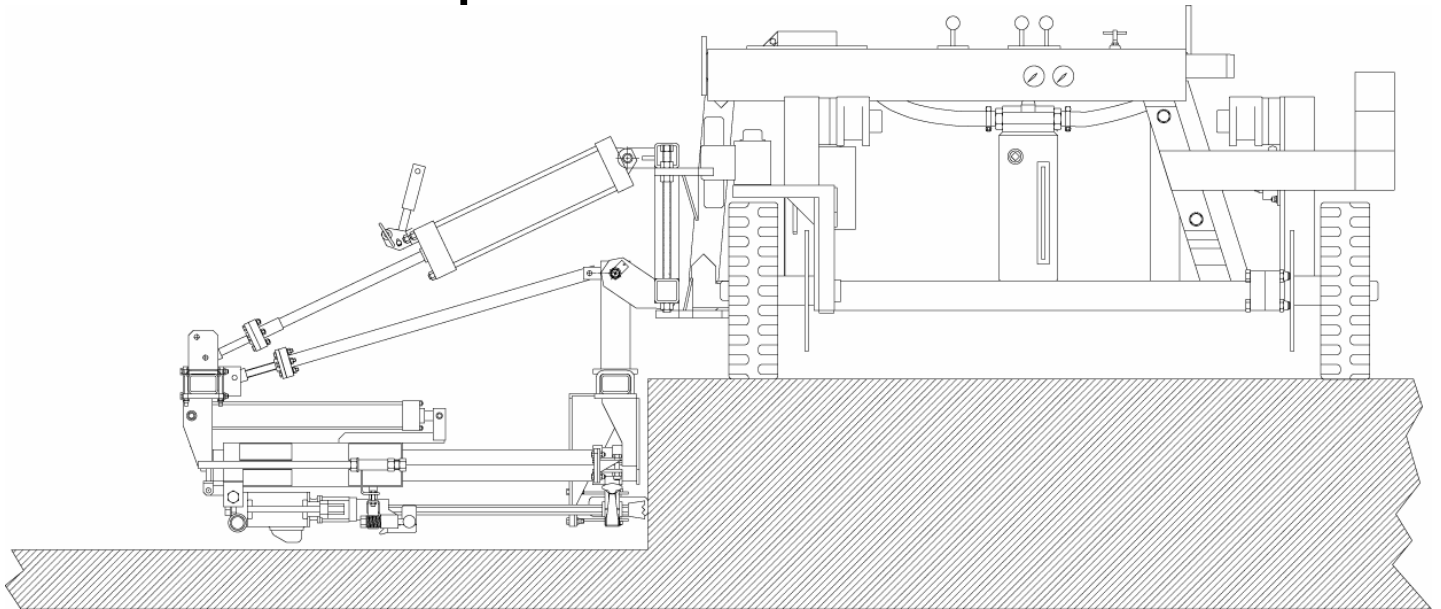


# **mm** Minnich

## CONCRETE VIBRATORS & DOWEL PIN DRILLS

### A-4SC/A-5SC Multiple Drill, Self Propelled On Slab Unit



Model	A-4SC/A-5SC
Drill Steel Shank	.875" x 4.25" (22.2mm x 107.9mm)
Drill Steel Length U.C.	24"(61.0cm)
Drill Bit Diameter	.625" – 2.50" (15.9mm to 63.5mm)
*Maximum Drill Depth	18" (45.7cm)
Drill Distance From Top of Slab	3.5" – 12" (8.9cm to 30.5cm)
Minimum Cutout Width	48" (121.9cm)
SCFM Required Per Drill	92.2 (2.61 m <sup>3</sup> /min)
PSIG Required	110 (0.76MPa)
Weight A-4SC (basic)	3260lbs. (1479kg)
Weight A-5SC (basic)	3460lbs. (1569kg)

*Horizontal and Vertical drilling*  
*Skew drill bed is available on the A-4SC*  
*On grade kit is available*  
*Capable of towing air compressor*  
*Power crab steering*  
*Power steering*  
*Power brakes*  
*Paint marker*  
*Solid rubber tires*  
*Adjustable drill height, depth and centers*  
*Auto control is available*  
*Work platform for operator*  
*Larger drill beds fold for easier transport*  
*Dust collection is available*

*Specifications shown are standard. Variations to the standard are available.*

*\*Based on 2 piece steel and bits. Whirlybits should be 1" longer for maximum drilling depth.*

**J.D. Honigberg International, Inc.**

650 Dundee Road, Suite 150, Northbrook, IL 60062 USA

Tel: 847-412-0200 · Email: [powerequipment@jdhintl.com](mailto:powerequipment@jdhintl.com) · [www.jdhpowerequipment.com](http://www.jdhpowerequipment.com)