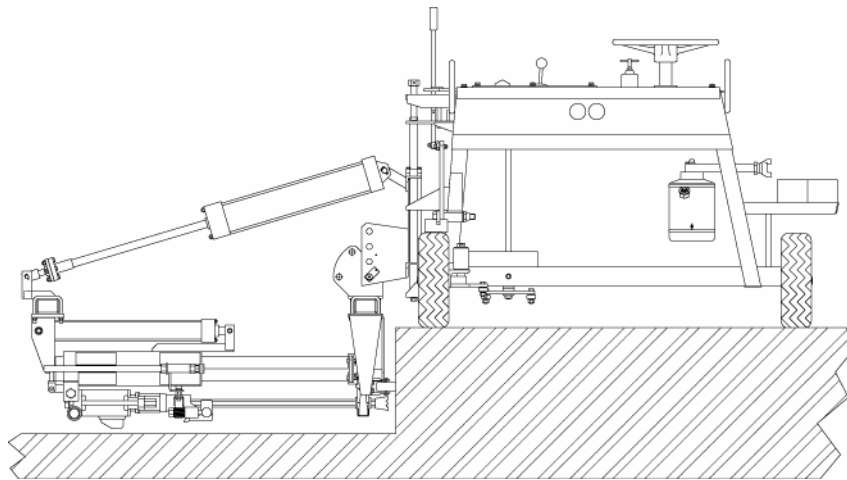


# **mm** Minnich

## CONCRETE VIBRATORS & DOWEL PIN DRILLS

### A-2C Multiple Drill, On Slab Unit with Steering



Model	A-2C
Drill Steel Shank	.875" x 4.25" (22.2mm x 107.9mm)
Drill Steel Length U.C.	24"(61.0cm)
Drill Bit Diameter	.625" – 2.50" (15.9mm to 63.5mm)
*Maximum Drill Depth	18" (45.7cm)
Drill Distance From Top of Slab	1.5" – 11.75" (3.8cm to 29.8cm)
Minimum Cutout Width	48" (121.9cm)
SCFM Required Per Drill	92.2 (2.61 m <sup>3</sup> /min)
PSIG Required	90 (0.62MPa)
Weight	900lbs. (408.2kg)

**Three position drilling:**  
**Horizontal, Vertical and 35 degree stitch**  
**Urethane filled tires**  
**Larger oiler for easy maintenance**  
**Adjustable drill height, depth and centers**  
**Dust collection is available**

**Specifications shown are standard.**  
**Variations to the standard are available.**  
**\*Based on 2 piece steel and bits.**  
**Whirlybits should be 1" longer for maximum drilling depth.**

**J.D. Honigberg International, Inc.**

650 Dundee Road, Suite 150, Northbrook, IL 60062 USA

Tel: 847-412-0200 · Email: [powerequipment@jdhintl.com](mailto:powerequipment@jdhintl.com) · [www.jdhpowerequipment.com](http://www.jdhpowerequipment.com)