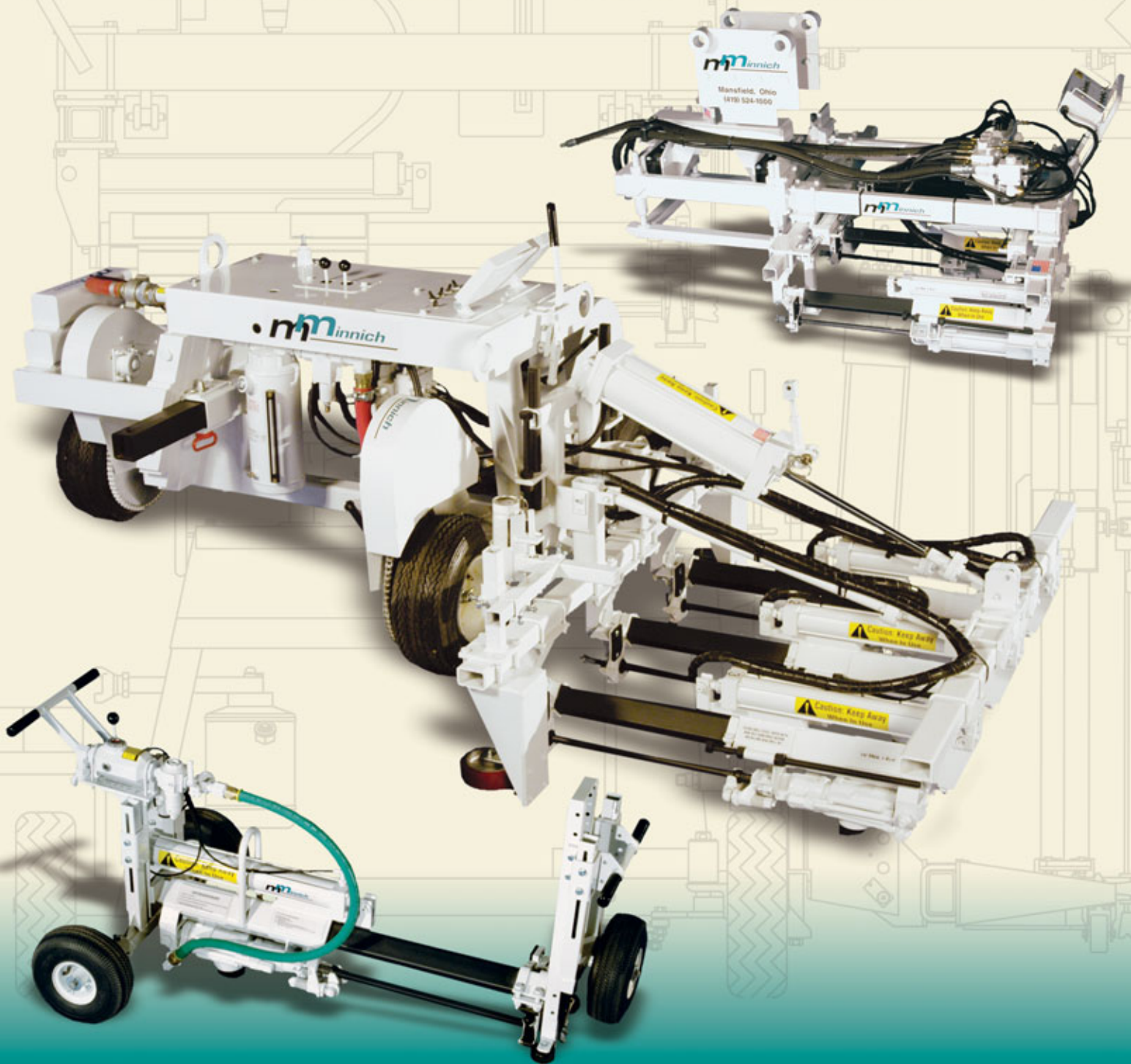


nm *innich*

CONCRETE VIBRATORS & DOWEL PIN DRILLS

Dowel Pin Drills



Pneumatic & Hydraulic

Drill Features

Guide Wheels

fast drill repositioning for all self-propelled machines (simply move, drill, move, drill, no waiting to re-align the unit)

Adjustable Rail Spacing adjustable from 12" to 30" (30.5cm - 76.2cm) standard on all multiganged units

Bolt On Guide Wheels allows drilling within 6" (15.2cm) of corner

Heavy-Duty Feed Cylinders with Oversized Rods and Cast Iron Rod Bushings

Hardened Bushings and Alloy Pins

Caution: Keep Away When In Use

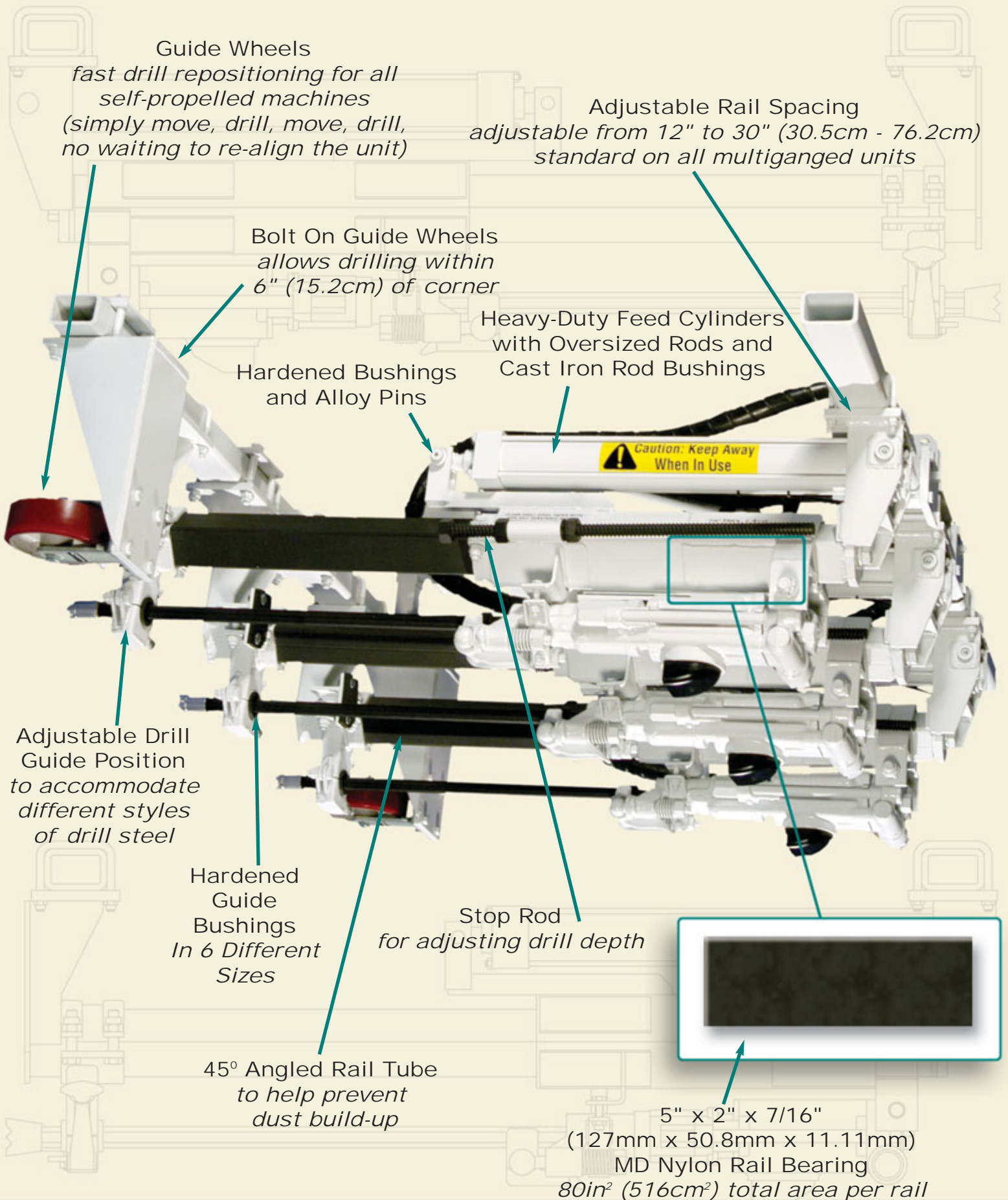
Adjustable Drill Guide Position to accommodate different styles of drill steel

Hardened Guide Bushings In 6 Different Sizes

Stop Rod for adjusting drill depth

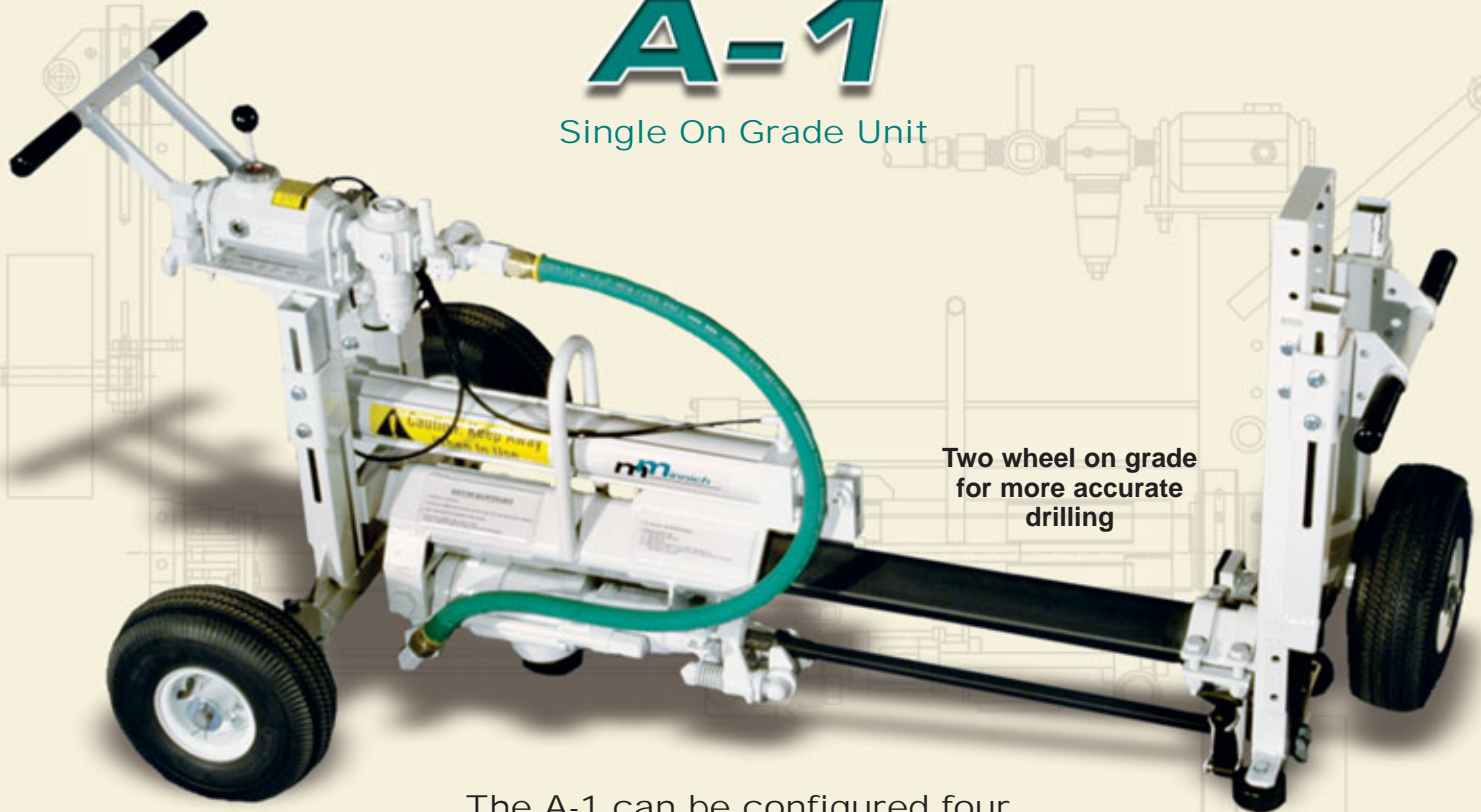
45° Angled Rail Tube to help prevent dust build-up

*5" x 2" x 7/16"
(127mm x 50.8mm x 11.11mm)
MD Nylon Rail Bearing
80in² (516cm²) total area per rail*



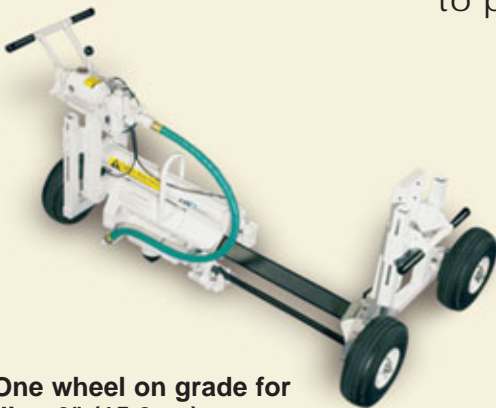
A-1

Single On Grade Unit



Two wheel on grade
for more accurate
drilling

The A-1 can be configured four different ways. There is no need to purchase extra conversion kits.



One wheel on grade for
drilling 6" (15.2cm) to corner



Wall configuration for
zero clearance drilling



Vertical configuration for all
vertical applications

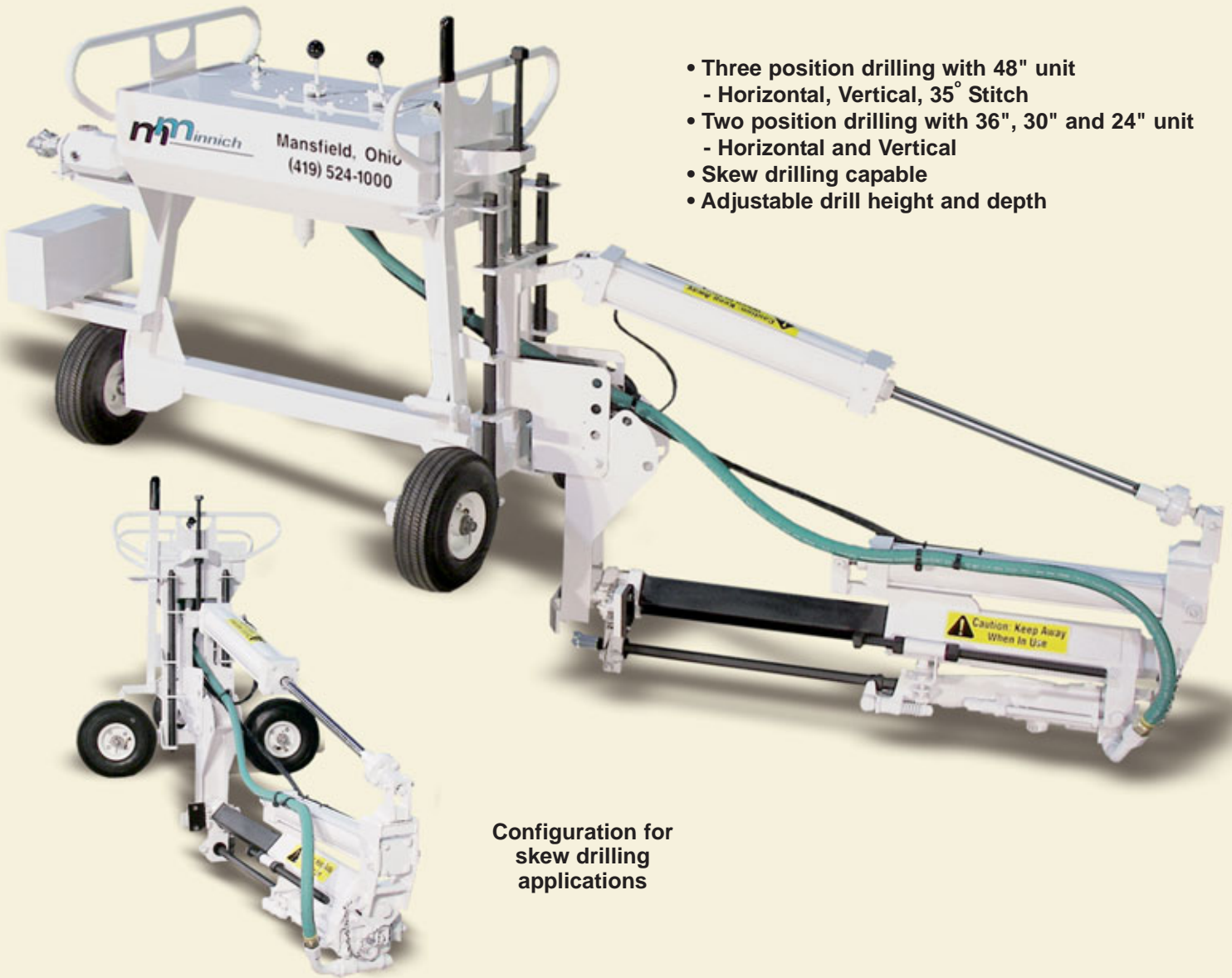
Model	A-1-48	A-1-36	A-1-30	A-1-24
Drill Steel Shank	.875" x 4.25" (22.2mm x 107.9mm)	.875" x 4.25" (22.2mm x 107.9mm)	.875" x 3.25" (22.2mm x 82.6mm)	.875" x 3.25" (22.2mm x 82.6mm)
Drill Steel Length Under Collart	24" (61.0cm)	12" (30.5cm)	12" (30.5cm)	9" (22.9cm)
Drill Bit Diameter	.625" to 2.50" (15.9mm - 63.5mm)	.625" to 2.50" (15.9mm - 63.5mm)	.625" to 1.625" (15.9mm - 41.3mm)	.625" to 1.00" (15.9mm - 25.4mm)
*Maximum Drill Depth	18" (45.7cm)	10" (25.4cm)	10" (25.4cm)	7" (17.8cm)
Drill Distance From Top Of Slab	3" to 12" (7.6cm - 30.5cm)	3" to 12" (7.6cm - 30.5cm)	3" to 12" (7.6cm - 30.5cm)	3" to 12" (7.6cm - 30.5cm)
Minimum Cutout Width	48" (121.9cm)	36" (91.4cm)	30" (76.2cm)	24" (61.0cm)
SCFM Required	92.2 (2.61 m ³ /min)	92.2 (2.61 m ³ /min)	75 (2.12 m ³ /min)	36 (1.02 m ³ /min)
PSIG Required	90 (0.62MPa)	90 (0.62MPa)	90 (0.62MPa)	90 (0.62MPa)
Weight	200 lbs. (90.7kg)	185 lbs. (83.9kg)	170 lbs. (77.1kg)	150 lbs. (68.0kg)

* Based on 2 piece steel and bits. Whirlybits should be 1" (2.6cm) longer for maximum drilling depth.

Specifications shown are standard. Variations to the standard are available.

A-1CL

Single On Slab Unit



- Three position drilling with 48" unit
 - Horizontal, Vertical, 35° Stitch
- Two position drilling with 36", 30" and 24" unit
 - Horizontal and Vertical
- Skew drilling capable
- Adjustable drill height and depth

Configuration for skew drilling applications

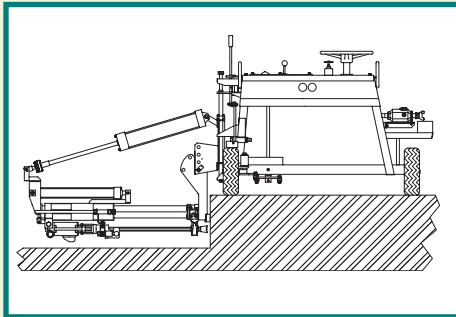
Model	A-1CL-48	A-1CL-36	A-1CL-30	A-1CL-24
Drill Steel Shank	.875" x 4.25" (22.2mm x 107.9mm)	.875" x 4.25" (22.2mm x 107.9mm)	.875" x 3.25" (22.2mm x 82.6mm)	.875" x 3.25" (22.2mm x 82.6mm)
Drill Steel Length Under Collart	24" (61.0cm)	12" (30.5cm)	12" (30.5cm)	9" (22.9cm)
Drill Bit Diameter	.625" to 2.50" (15.9mm - 63.5mm)	.625" to 2.50" (15.9mm - 63.5mm)	.625" to 1.625" (15.9mm - 41.3mm)	.625" to 1.00" (15.9mm - 25.4mm)
*Maximum Drill Depth	18" (45.7cm)	10" (25.4cm)	10" (25.4cm)	7" (17.8cm)
Drill Distance From Top Of Slab	3" to 12" (7.6cm - 30.5cm)	3" to 12" (7.6cm - 30.5cm)	3" to 12" (7.6cm - 30.5cm)	3" to 12" (7.6cm - 30.5cm)
Minimum Cutout Width	48" (121.9cm)	36" (91.4cm)	30" (76.2cm)	24" (61.0cm)
SCFM Required	92.2 (2.61 m ³ /min)	92.2 (2.61 m ³ /min)	75 (2.12 m ³ /min)	36 (1.02 m ³ /min)
PSIG Required	90 (0.62MPa)	90 (0.62MPa)	90 (0.62MPa)	90 (0.62MPa)
Weight	435 lbs. (197.3kg)	400 lbs. (181.4kg)	365 lbs. (165.6kg)	340 lbs. (154.2kg)

* Based on 2 piece steel and bits. Whirlybits should be 1" (2.6cm) longer for maximum drilling depth.

Specifications shown are standard. Variations to the standard are available.

A-1C

Single On Slab Unit With Steering



- Three position drilling with 48" unit
- Horizontal, Vertical, 35° Stitch
- Two position drilling with 36", 30" and 24" unit
- Horizontal and Vertical
- Skew drilling capable
- Adjustable drill height and depth

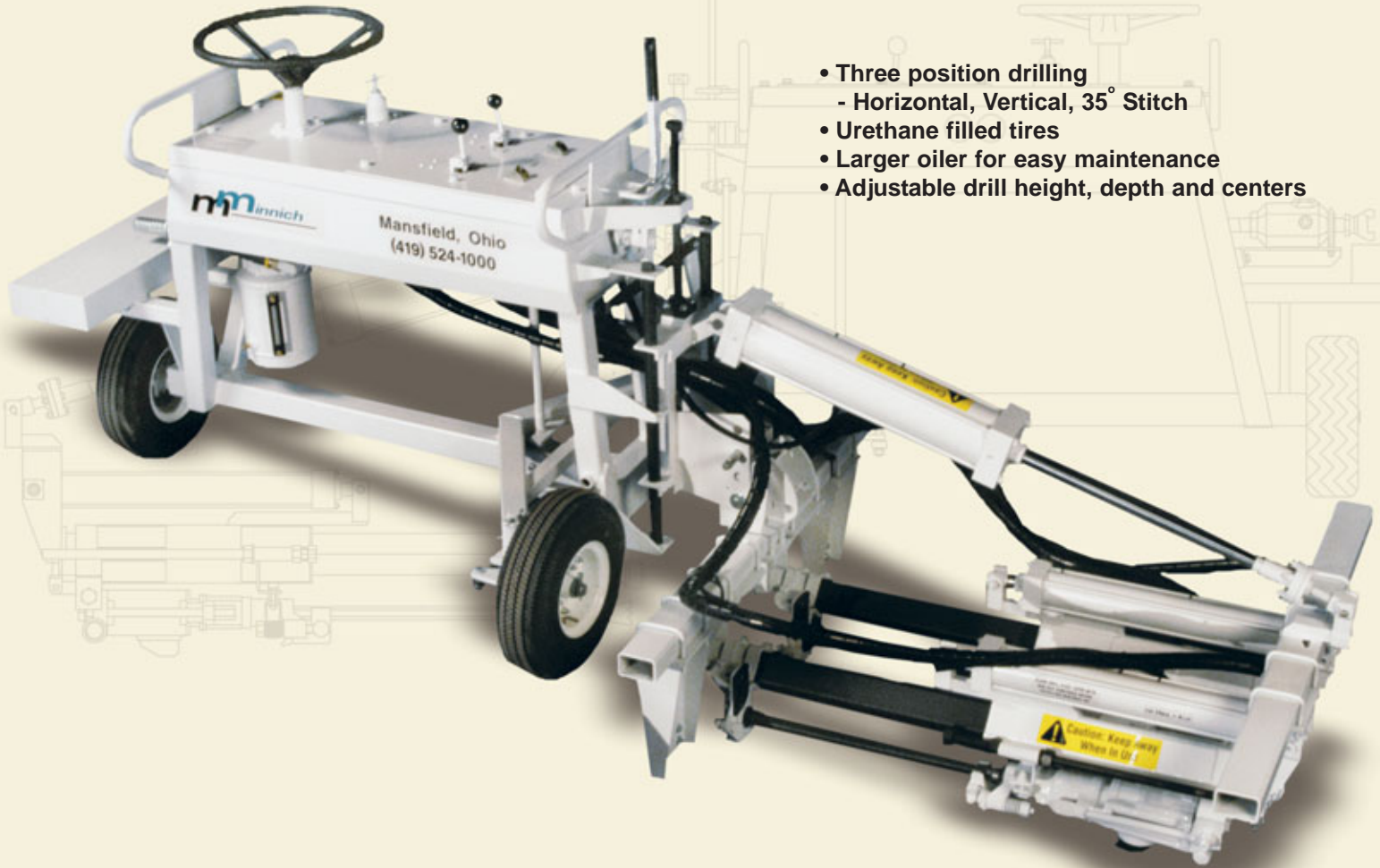
Model	A-1C-48	A-1C-36	A-1C-30	A-1C-24
Drill Steel Shank	.875" x 4.25" (22.2mm x 107.9mm)	.875" x 4.25" (22.2mm x 107.9mm)	.875" x 3.25" (22.2mm x 82.6mm)	.875" x 3.25" (22.2mm x 82.6mm)
Drill Steel Length Under Collart	24" (61.0cm)	12" (30.5cm)	12" (30.5cm)	9" (22.9cm)
Drill Bit Diameter	.625" to 2.50" (15.9mm - 63.5mm)	.625" to 2.50" (15.9mm - 63.5mm)	.625" to 1.625" (15.9mm - 41.3mm)	.625" to 1.00" (15.9mm - 25.4mm)
*Maximum Drill Depth	18" (45.7cm)	10" (25.4cm)	10" (25.4cm)	7" (17.8cm)
Drill Distance From Top Of Slab	2.5" to 12.75" (6.4cm - 32.4cm)	2.5" to 12.75" (6.4cm - 32.4cm)	2.5" to 12.75" (6.4cm - 32.4cm)	2.5" to 12.75" (6.4cm - 32.4cm)
Minimum Cutout Width	48" (121.9cm)	36" (91.4cm)	30" (76.2cm)	24" (61.0cm)
SCFM Required	92.2 (2.61 m ³ /min)	92.2 (2.61 m ³ /min)	75 (2.12 m ³ /min)	36 (1.02 m ³ /min)
PSIG Required	90 (0.62MPa)	90 (0.62MPa)	90 (0.62MPa)	90 (0.62MPa)
Weight	700 lbs. (317.5kg)	665 lbs. (301.6kg)	630 lbs. (285.8kg)	605 lbs. (274.4kg)

* Based on 2 piece steel and bits. Whirlybits should be 1" (2.6cm) longer for maximum drilling depth.

Specifications shown are standard. Variations to the standard are available.

A-2C

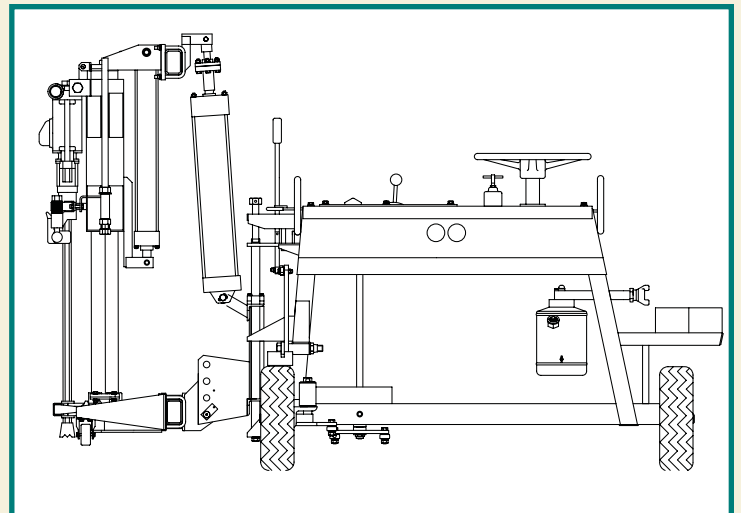
Double On Slab Unit With Steering



- Three position drilling
 - Horizontal, Vertical, 35° Stitch
- Urethane filled tires
- Larger oiler for easy maintenance
- Adjustable drill height, depth and centers

Drill Steel Shank	.875" x 4.25" (22.2mm x 107.9mm)
Drill Steel Length Under Collart	24" (61.0cm)
Drill Bit Diameter	.625" to 2.50" (15.9mm - 63.5mm)
*Maximum Drill Depth	18" (45.7cm)
Drill Distance From Top Of Slab	1.5" to 11.75" (3.8cm - 29.8cm)
Minimum Cutout Width	48" (121.9cm)
SCFM Required Per Drill	92.2 (2.61 m ³ /min)
PSIG Required	90 (0.62MPa)
Weight	900 lbs. (408.2kg)

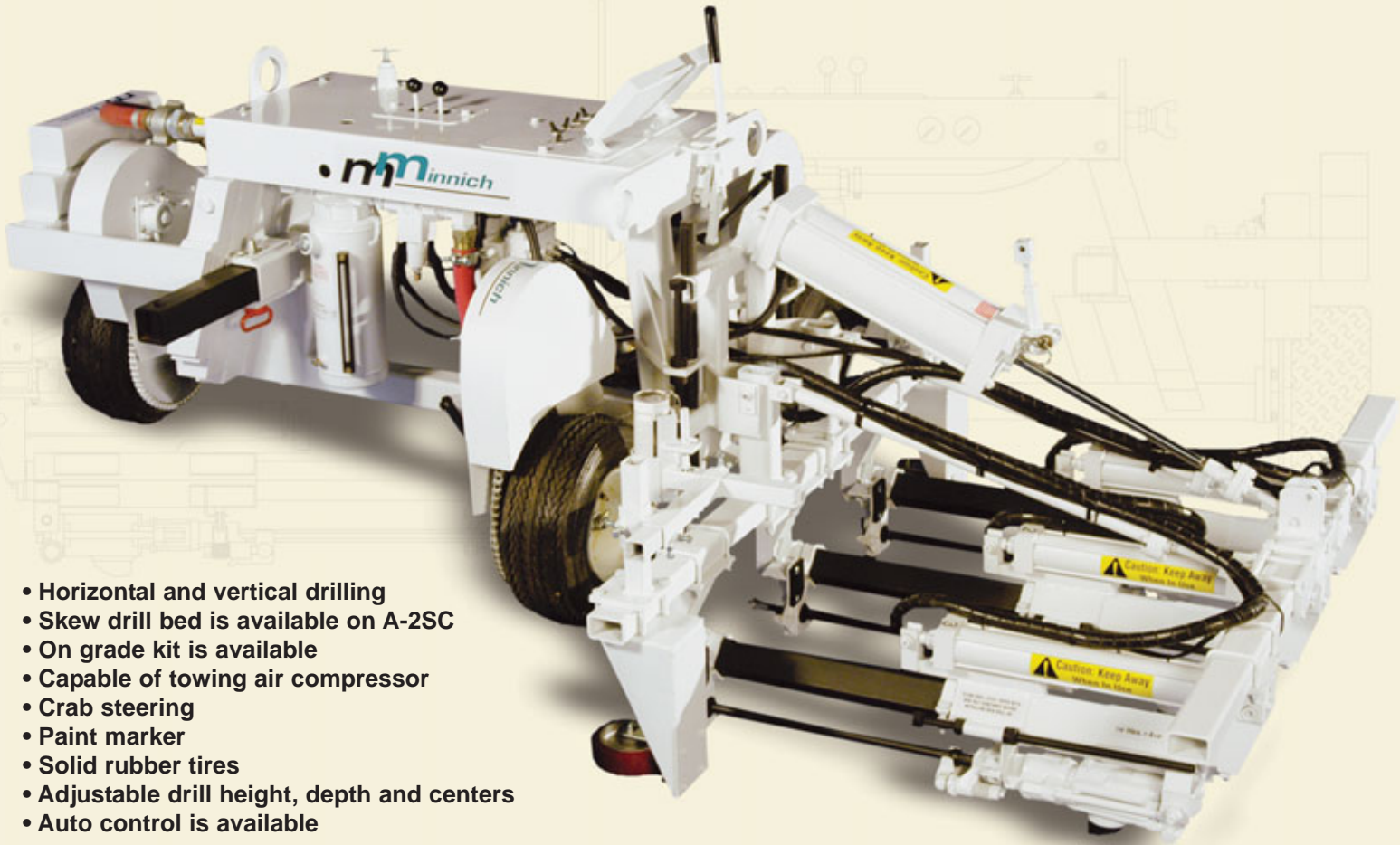
* Based on 2 piece steel and bits.



Specifications shown are standard. Variations to the standard are available.

A-2SC / A-3SC

On Slab Self-Propelled Unit With Steering



- Horizontal and vertical drilling
- Skew drill bed is available on A-2SC
- On grade kit is available
- Capable of towing air compressor
- Crab steering
- Paint marker
- Solid rubber tires
- Adjustable drill height, depth and centers
- Auto control is available



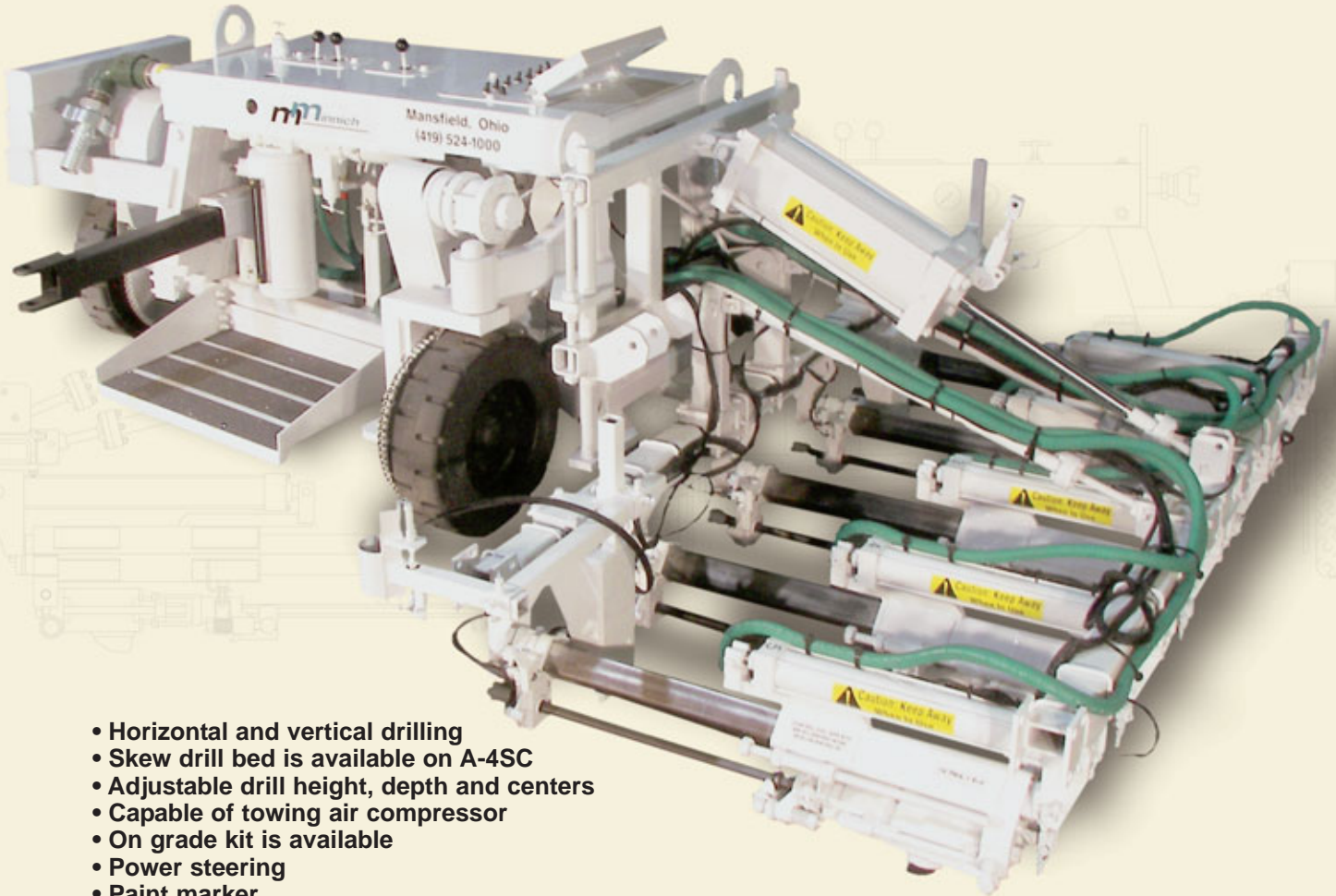
Drill Steel Shank	.875" x 4.25" (22.2mm x 107.9mm)
Drill Steel Length Under Collart	24" (61.0cm)
Drill Bit Diameter	.625" to 2.50" (15.9mm - 63.5mm)
*Maximum Drill Depth	18" (45.7cm)
Drill Distance From Top Of Slab	3.5" to 12" (8.9cm - 30.5cm)
Minimum Cutout Width	48" (121.9cm)
SCFM Required Per Drill	92.2 (2.61 m ³ /min)
PSIG Required	110 (0.76MPa)
Weight A-2SC (basic)	1985 lbs. (900.4kg)
Weight A-3SC (basic)	2250 lbs. (1021kg)

* Based on 2 piece steel and bits.

Specifications shown are standard. Variations to the standard are available.

A-4SC / A-5SC

On Slab Self-Propelled Unit With Steering

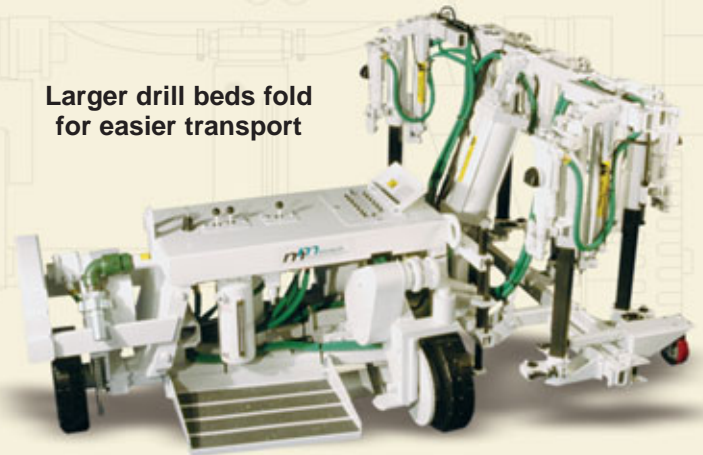


- Horizontal and vertical drilling
- Skew drill bed is available on A-4SC
- Adjustable drill height, depth and centers
- Capable of towing air compressor
- On grade kit is available
- Power steering
- Paint marker
- Solid rubber tires
- Power brakes
- Auto control is available
- Work platform for operator

Drill Steel Shank	.875" x 4.25" (22.2mm x 107.9mm)
Drill Steel Length Under Collart	24" (61.0cm)
Drill Bit Diameter	.625" to 2.50" (15.9mm - 63.5mm)
*Maximum Drill Depth	18" (45.7cm)
Drill Distance From Top Of Slab	3.5" to 12" (8.9cm - 30.5cm)
Minimum Cutout Width	48" (121.9cm)
SCFM Required Per Drill	92.2 (2.61 m ³ /min)
PSIG Required	110 (0.76MPa)
Weight A-4SC (basic)	3260 lbs. (1479kg)
Weight A-5SC (basic)	3460 lbs. (1569kg)

* Based on 2 piece steel and bits.

Larger drill beds fold
for easier transport



Specifications shown are standard. Variations to the standard are available.

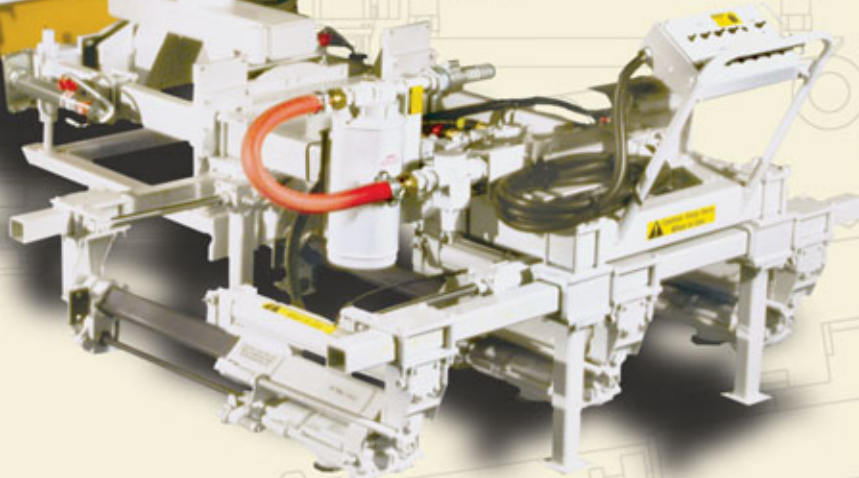
A-2 / A-6

Equipment Mounted Air Drill



unit shown with optional skid loader side shift mount for easier positioning

- Side shift is standard on A-2 and A-3
- Side shift is optional on A-4 thru A-6
- 330° drill bed rotation
- Adjustable height, depth and drill centers
- Backhoe or skid loader mounted



unit shown in add on configuration

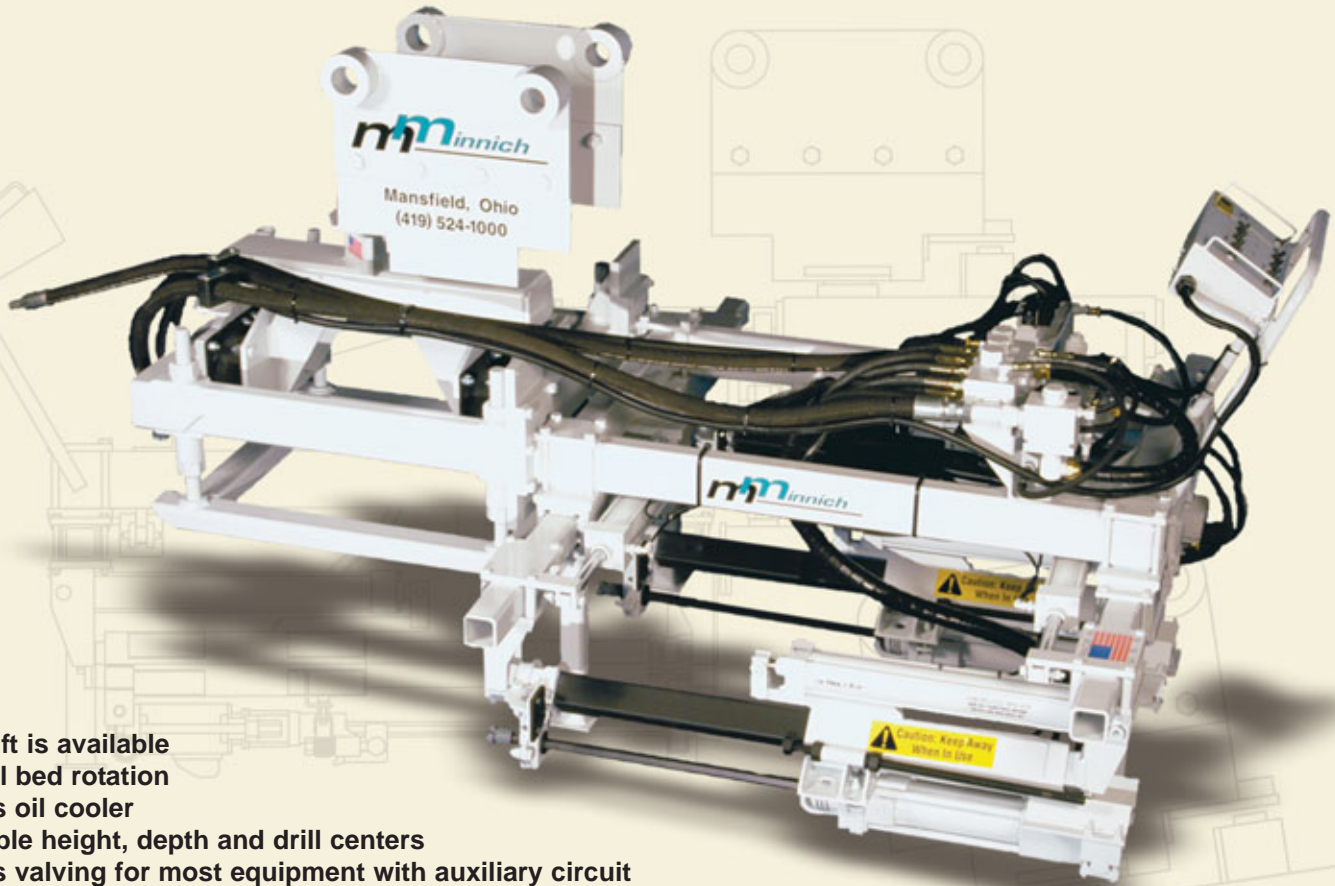
Drill Steel Shank	.875" x 4.25" (22.2mm x 107.9mm)
Drill Steel Length Under Collart	24" (61.0cm)
Drill Bit Diameter	.625" to 2.50" (15.9mm - 63.5mm)
*Maximum Drill Depth	18" (45.7cm)
Drill Distance From Top Of Slab	3" to 12" (7.6cm - 30.5cm)
Minimum Cutout Width	48" (121.9cm)
SCFM Required Per Drill	92.2 (2.61 m ³ /min)
PSIG Required	90 (0.62MPa)
Weight A-2	1250 lbs. (567.0kg)
Weight A-3	1500 lbs. (680.4kg)
Weight A-4	1750 lbs. (793.8kg)
Weight A-5	2000 lbs. (907.2kg)
Weight A-6	2125 lbs. (963.9kg)

* Based on 2 piece steel and bits.

Specifications shown are standard. Variations to the standard are available.

H-2 / H-6

Equipment Mounted Hydraulic Drill



- Side shift is available
- 330° drill bed rotation
- Includes oil cooler
- Adjustable height, depth and drill centers
- Includes valving for most equipment with auxiliary circuit
- Backhoe or skid loader mounted

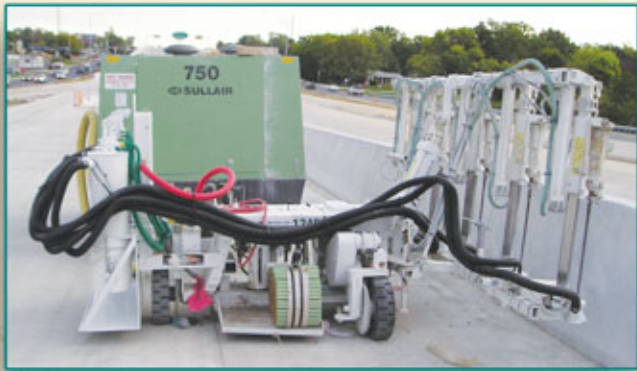
Drill Steel Shank	.875" x 4.25" (22.2mm x 107.9mm)
Drill Steel Length Under Collart	24" (61.0cm)
Drill Bit Diameter	.625" to 2.50" (15.9mm - 63.5mm)
*Maximum Drill Depth	18" (45.7cm)
Drill Distance From Top Of Slab	3" to 12" (7.6cm - 30.5cm)
Minimum Cutout Width	48" (121.9cm)
Weight H-2	1250 lbs. (567.0kg)
Weight H-3	1500 lbs. (680.4kg)
Weight H-4	1750 lbs. (793.8kg)
Weight H-5	2000 lbs. (907.2kg)
Weight H-6	2125 lbs. (963.9kg)
Hydraulic Requirements	
GPM Required Per Drill	10 (37.9 l/min)
PSIG Required	2000 (13.8MPa)
Air Requirements	
SCFM Required Per Drill	15 (0.43 m³/min)
PSIG Required	90 (0.62MPa)



* Based on 2 piece steel and bits.

Specifications shown are standard. Variations to the standard are available.

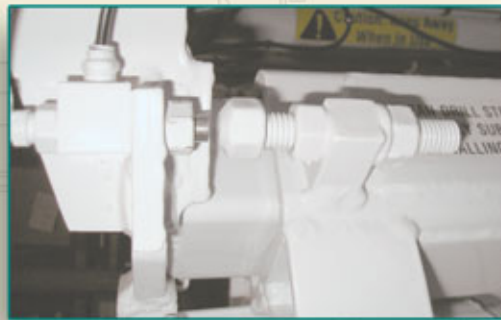
Options



Dust Collection System
for dust control on job site



On Grade Kit



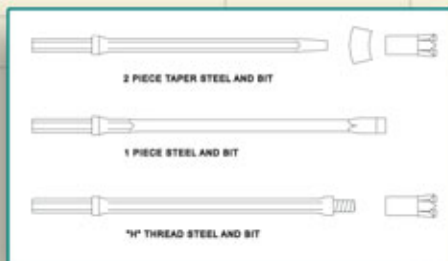
Auto Control System
for retracting steel and
shutting off rock drills
automatically



Water Kit



Skewed Bed
for skewed patches



Drill Steel and Bits



Rock Drill Oil

Special Application



A-4 Vertical
Equipment mounted drill that can drill in five
different configurations.



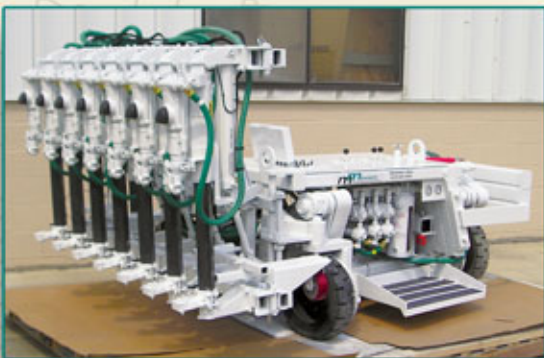
A-3 Vertical
Quarry drill with a 144" drill depth.



A-4 Vertical
Equipment mounted drill
used in tunnel construction.



A-2 Vertical
Equipment mounted drill
used for drilling on foundations.



A-8SC with bed extension folded for transport.



A-4S Core Drill used for light rail construction.

If you have a unique situation, Minnich can make a custom drill to fit your need.

J.D. Honigberg International, Inc.

650 Dundee Road, Suite 150, Northbrook, IL 60062 USA

Tel: 847-412-0200 · Email: powerequipment@jdhintl.com · www.jdhpowerequipment.com