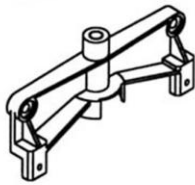
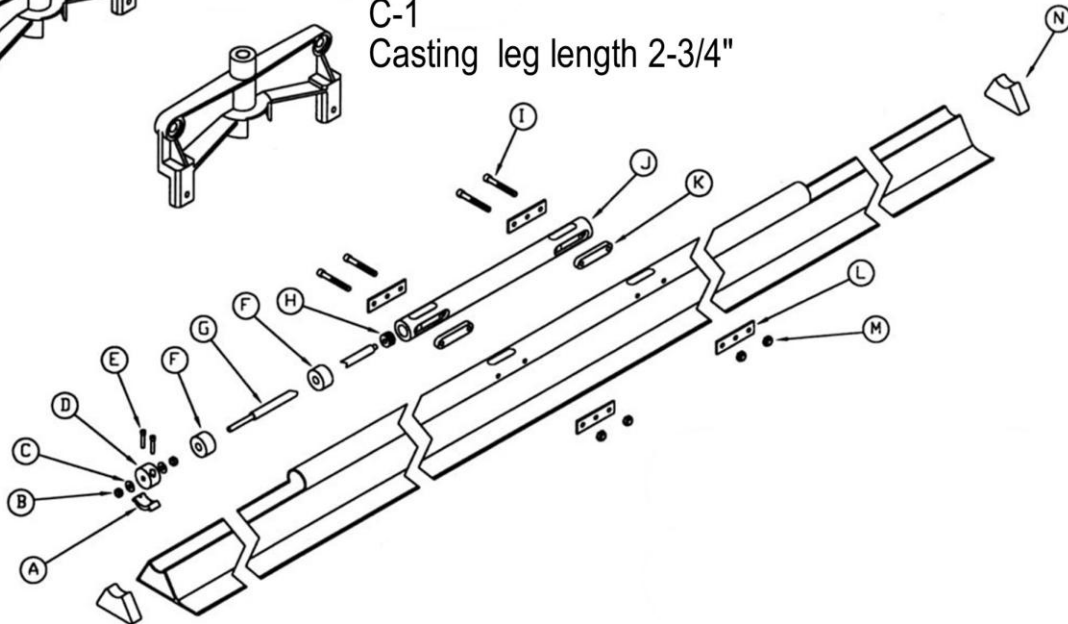


F4 Float Parts List

C-3
Casting leg length 1-1/2"



C-1
Casting leg length 2-3/4"



Part#	Description	Item Reference
FM3026	Triangle Rubber end Molds	N
FM3028	Mounting Cylinder End Plug	H
FM3031	SHCS 1/4-20	E
FM3033	5/16" Flat Washer	C
FM3034	3/8"-16 Nylock Nut	M
FM3042	Saddle Washer	L
FM3044	3/8"-16 x 2 1/2" Socket Set Screw	I
FM3045	Mounting Cylinder	J
FM3048	Hardened Mounting Cylinder Wedge	K
FM3049	Upper/Lower Adjusting Stop	A&D
FM4508	8' Adjusting Rod	G
FM4510	10' Adjusting Rod	G
FM4512	12' Adjusting Rod	G
FM4514	14' Adjusting Rod	G
FM4508	16' Adjusting Rod	G
TL015	3/8"-16 Flat Head Nut	B
TL033	Rubber End Seal	F

J.D. Honigberg International, Inc.

650 Dundee Road, Suite 150, Northbrook, IL 60062 USA

Tel: 847-412-0200 · Email: powerequipment@jdhintl.com

www.jdhpowerequipment.com